

***grip*sport®**

Instructions Rack Light

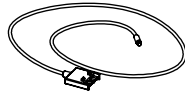


Parts List

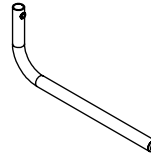
GS4, Van-Rack & all older Gripsport racks.



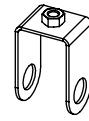
1 x Light board with wiring loom



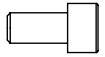
1 x Plug (flat or round)



2 x



2 x

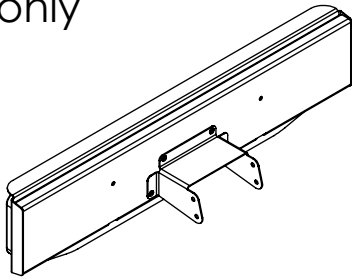


2 x

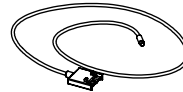


2 x

GS2 only



1 x Light board with wiring loom & integrated mounting bracket

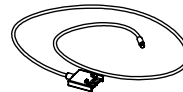
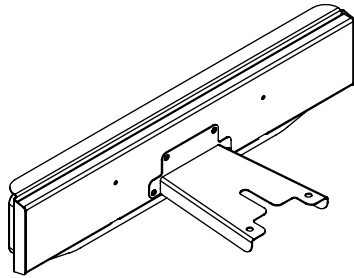


1 x Plug (flat or round)



4 x

GSE only

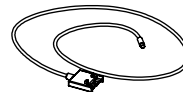


1 x Plug (flat or round)

Non Gripsport racks

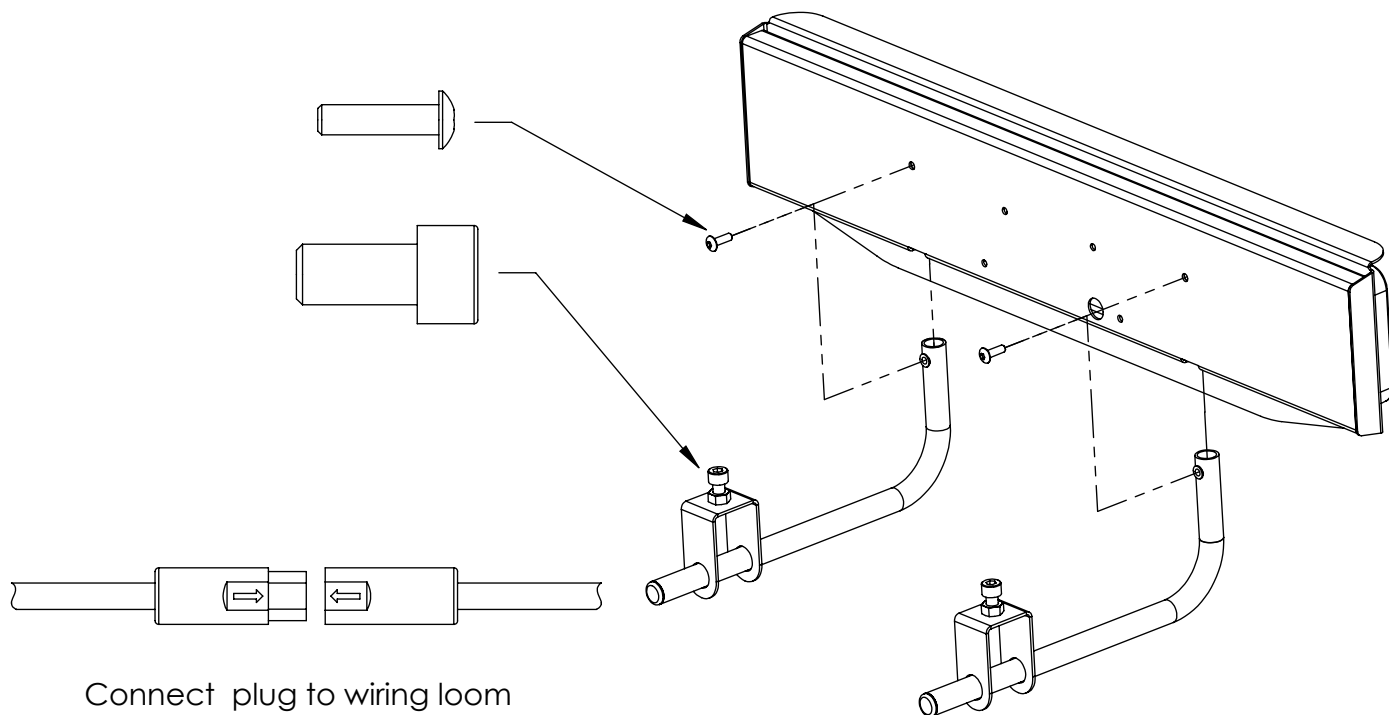


1 x Light board with wiring loom

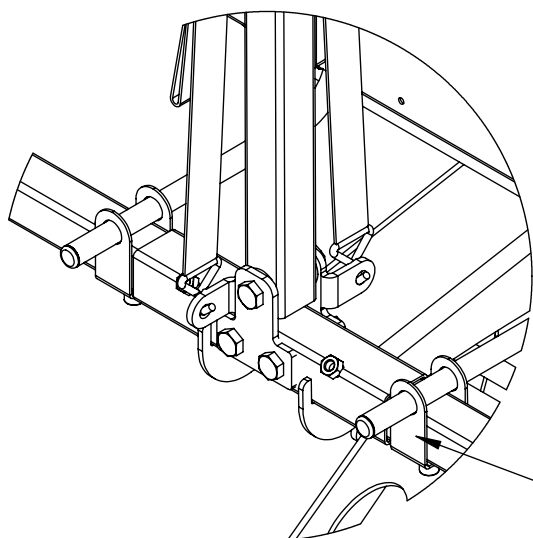
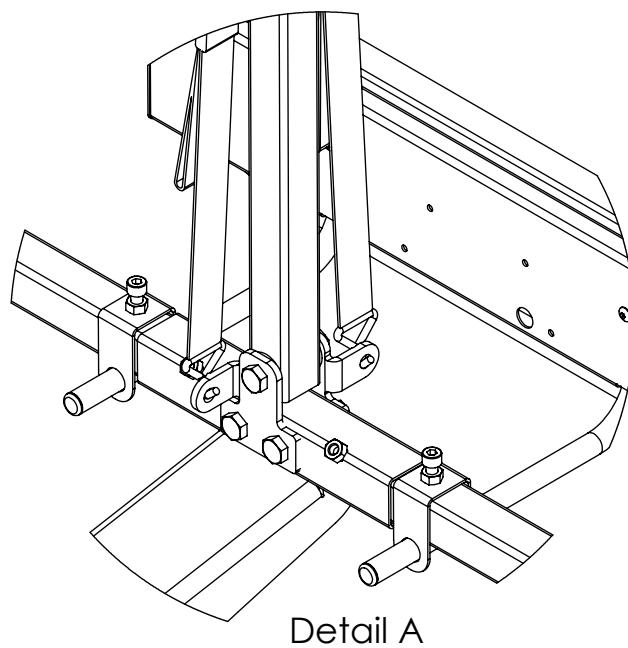
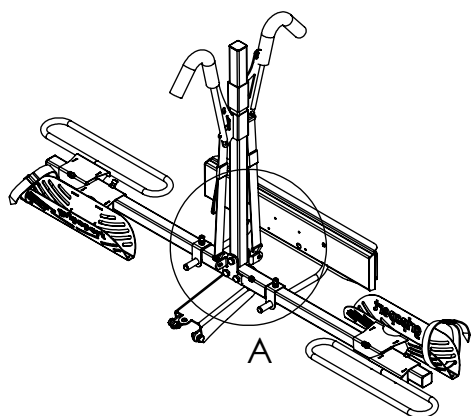


1 x Plug (flat or round)

GS4, Van Rack & older gripsport carriers

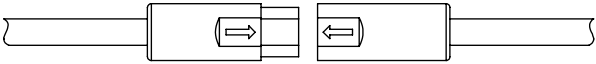
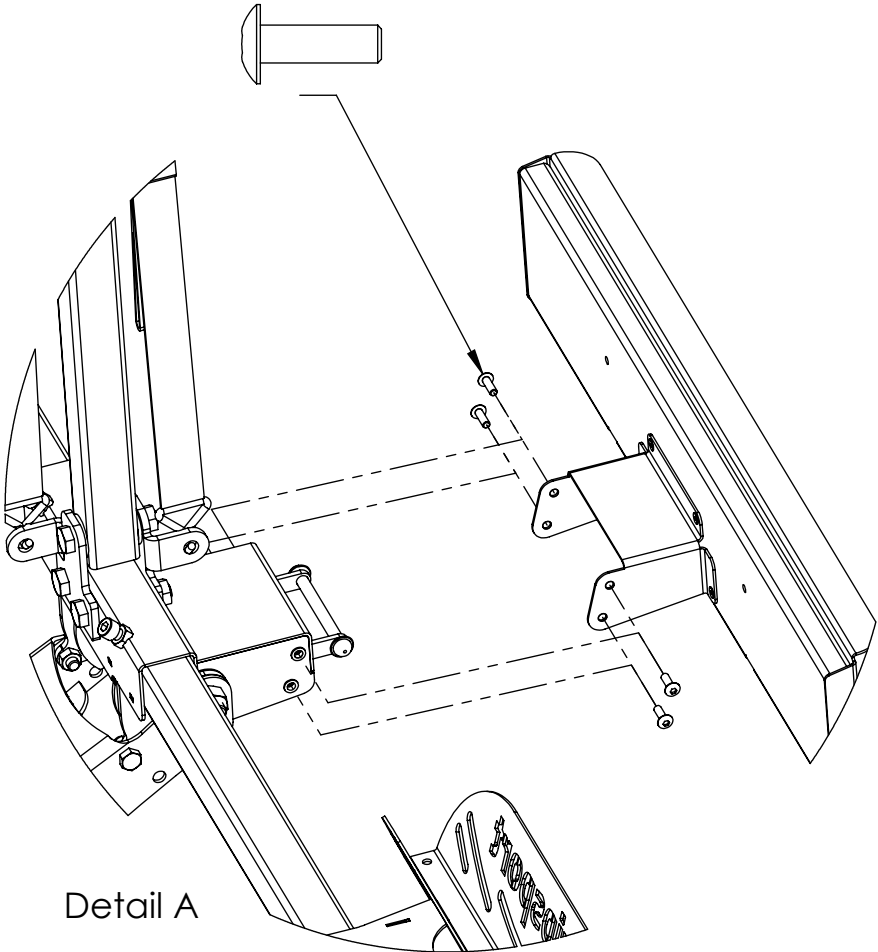
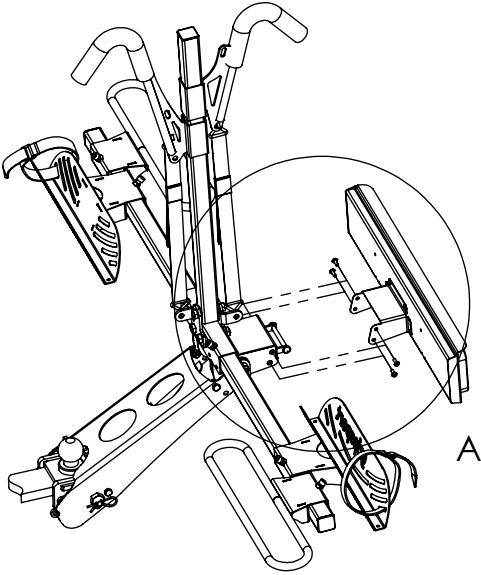


Connect plug to wiring loom

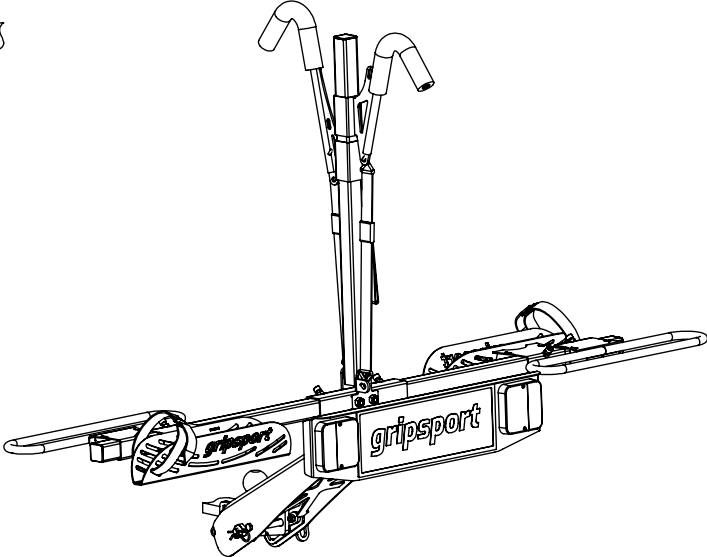


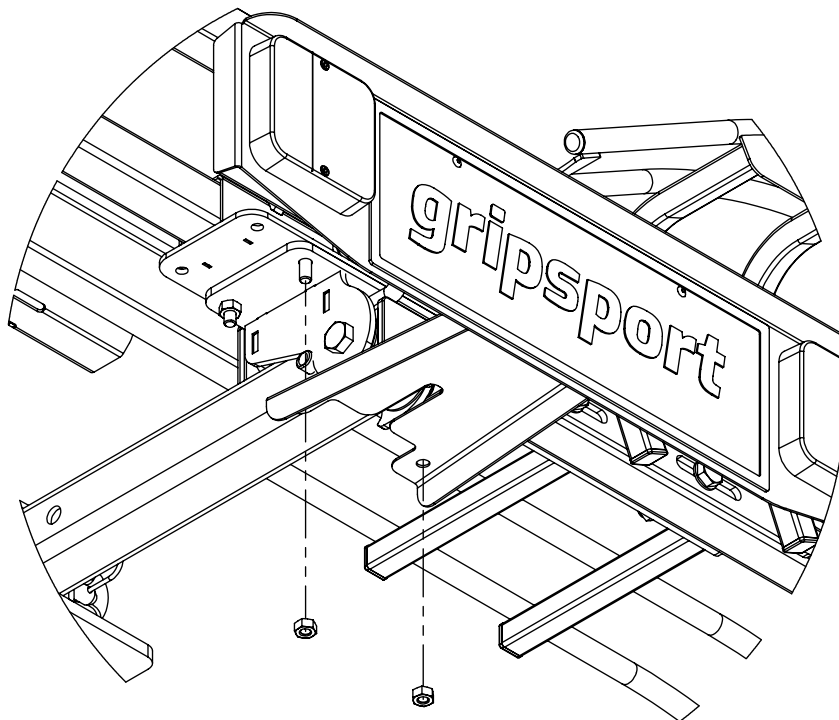
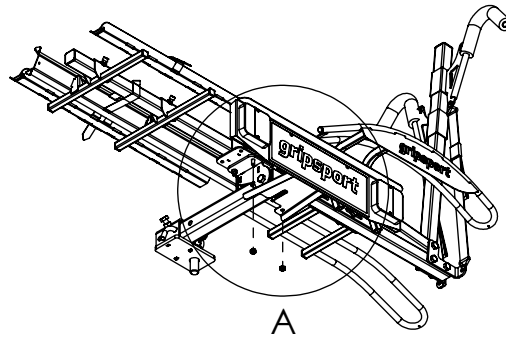
Note. Invert clamps.
When fitting to the **GS4** in its
2 bike configuration.

GS2 only

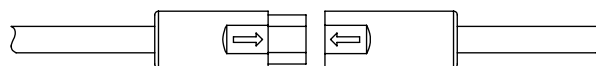


Connect plug to wiring loom



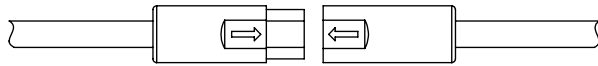
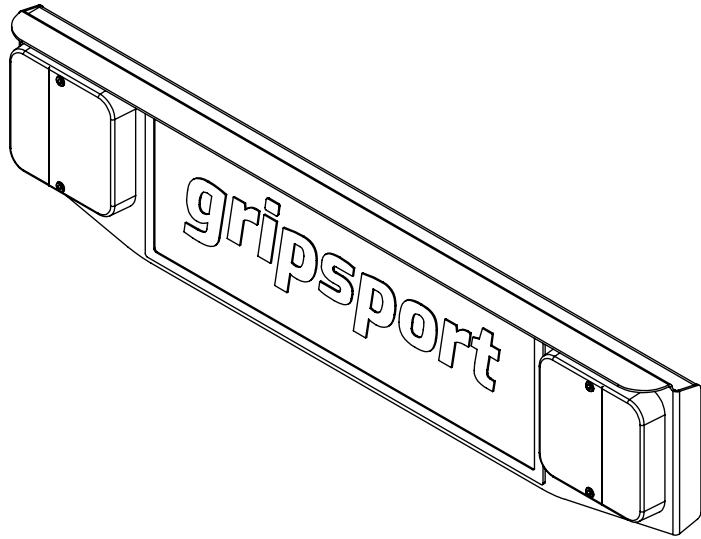


DETAIL A



Connect plug to wiring loom

Non Gripsport racks



Connect plug to wiring loom