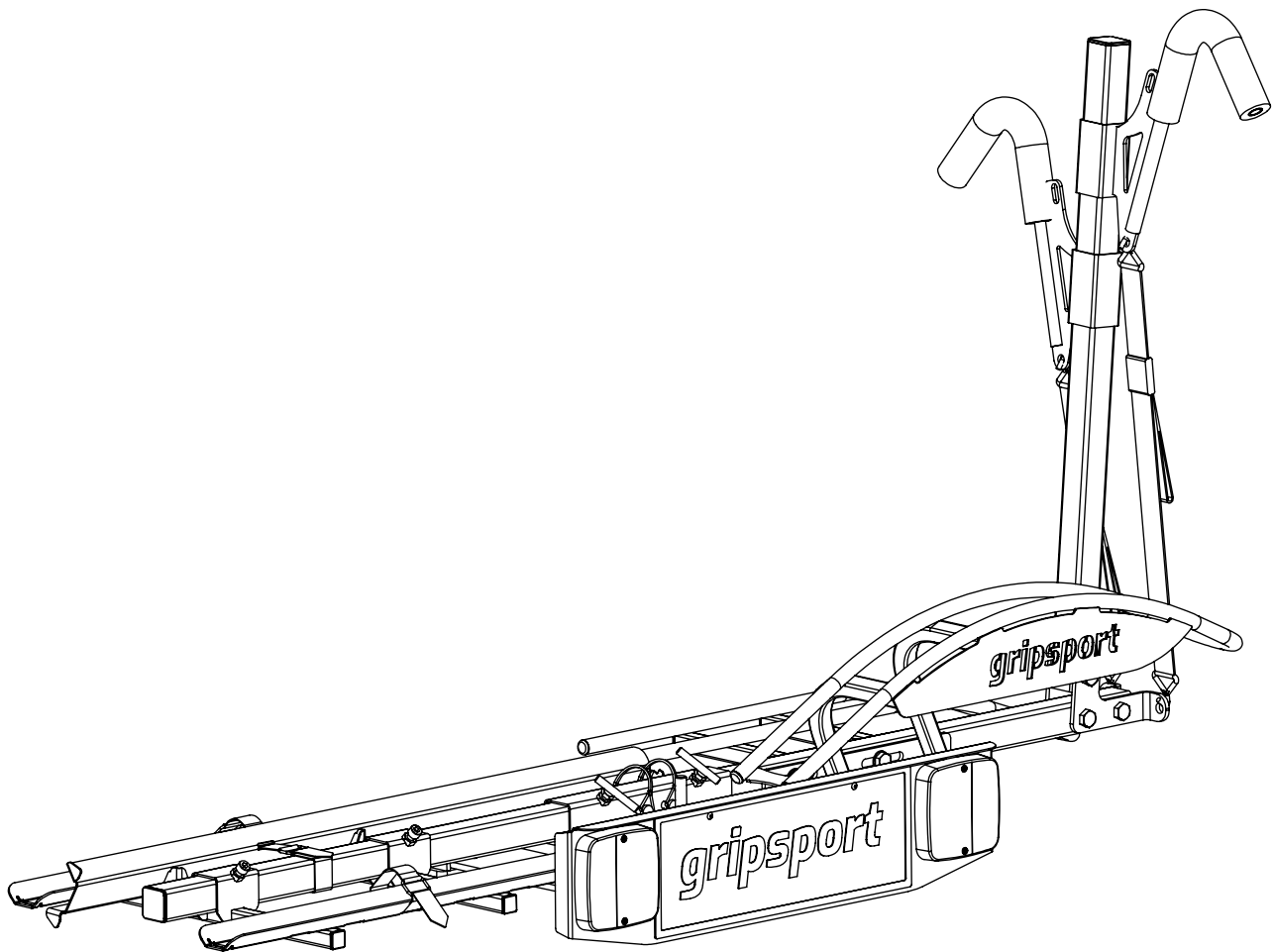


***gripsport***<sup>TM</sup>

# Assembly Instructions

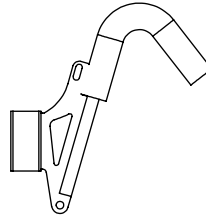
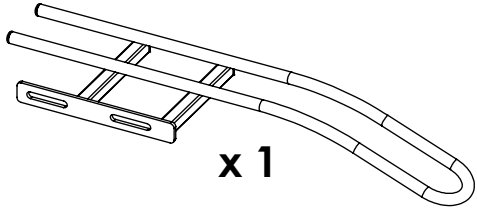
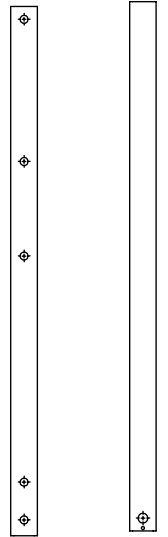
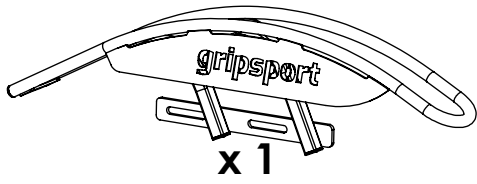
## GSE & GSE+



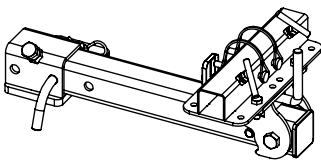
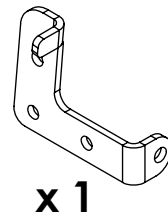
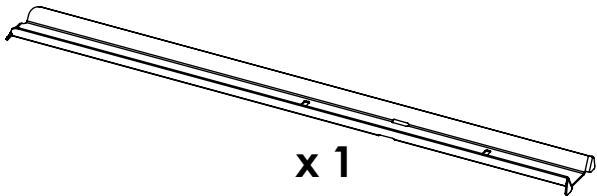
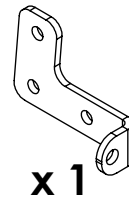
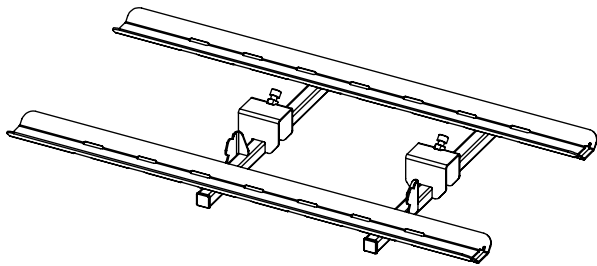
**Max. 30kg , Per bike**



# Parts list

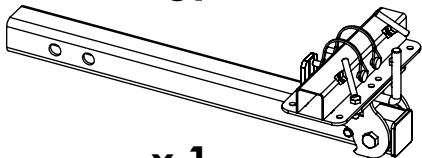


**x 2**

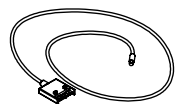
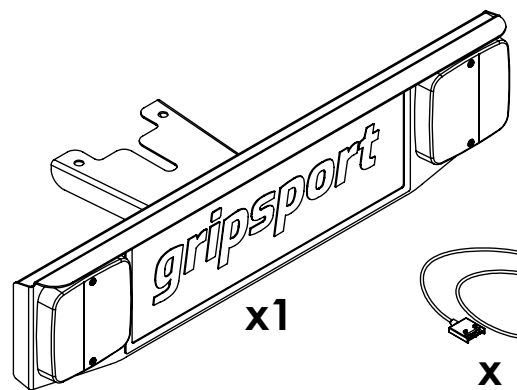
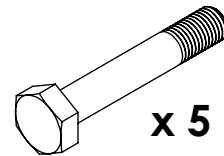


**x 1**  
Tongue QR hitch

or

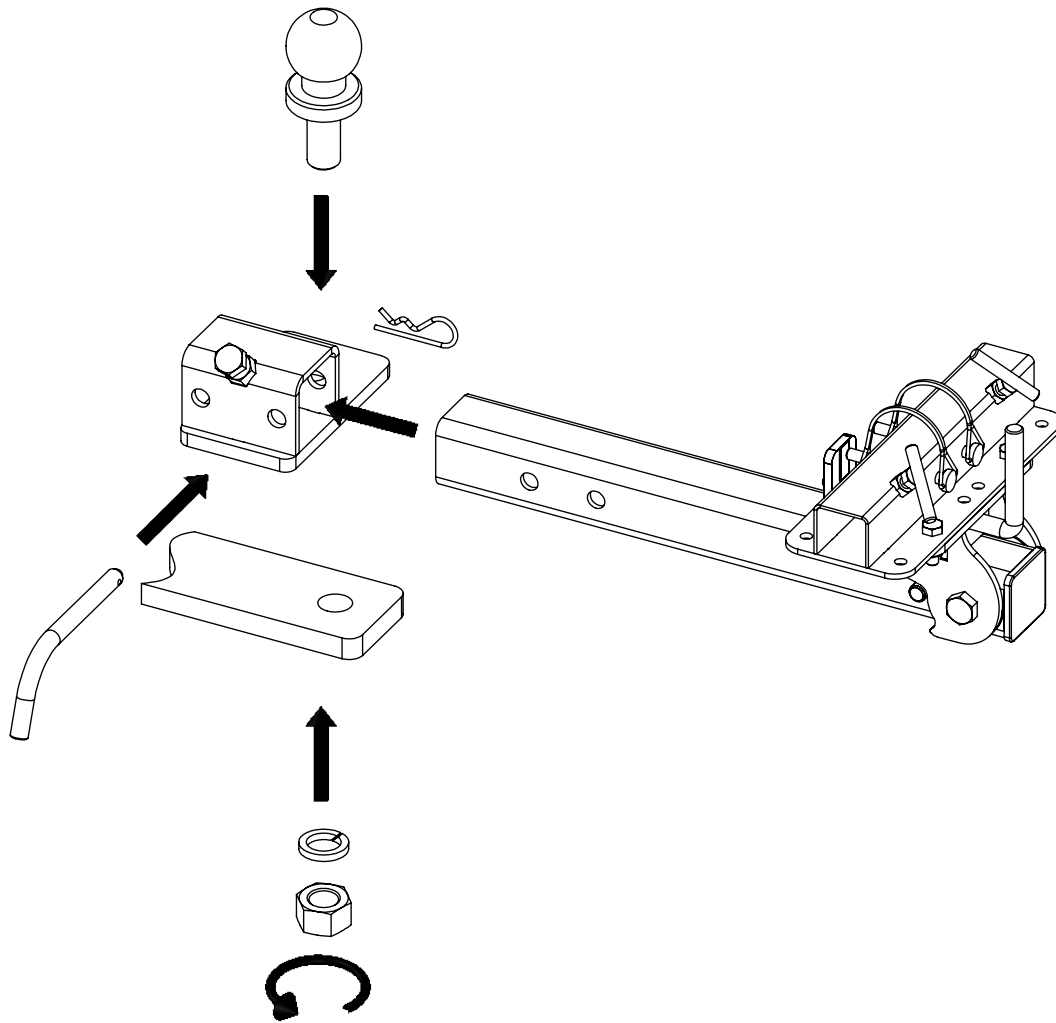


**x 1**  
50mm Square QR hitch



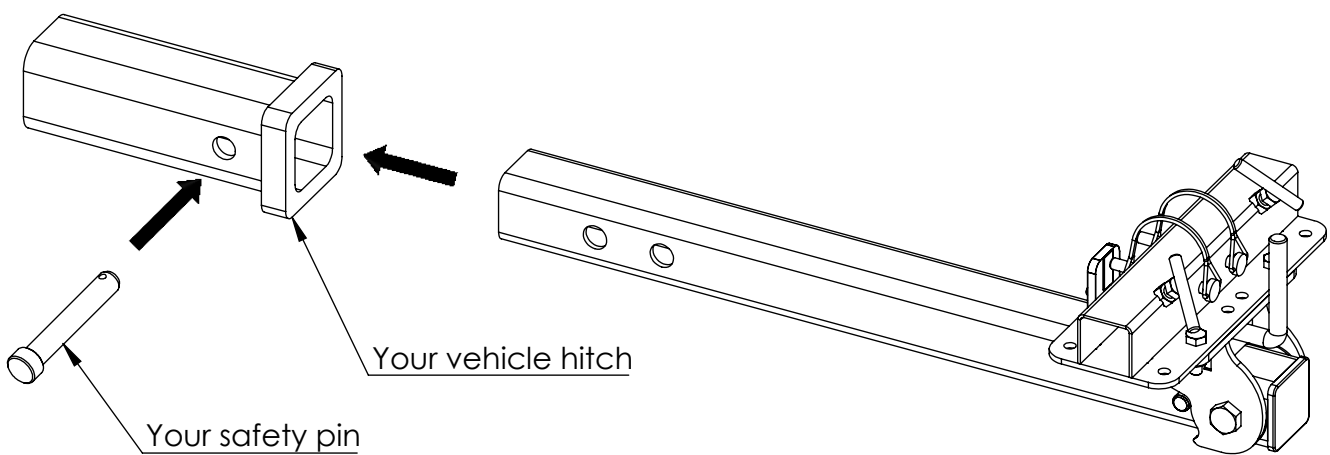
**GSE+ only**

# Fit 'tongue QR hitch' to your tow ball tongue (using your own tow ball)

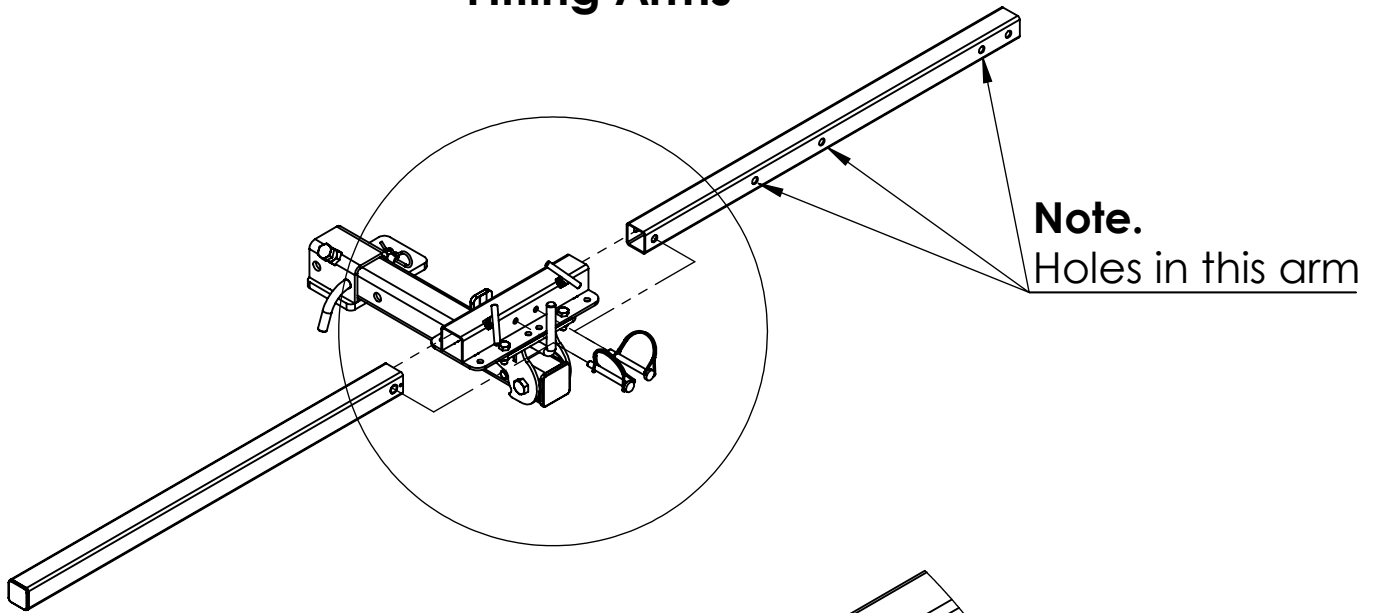


**OR**

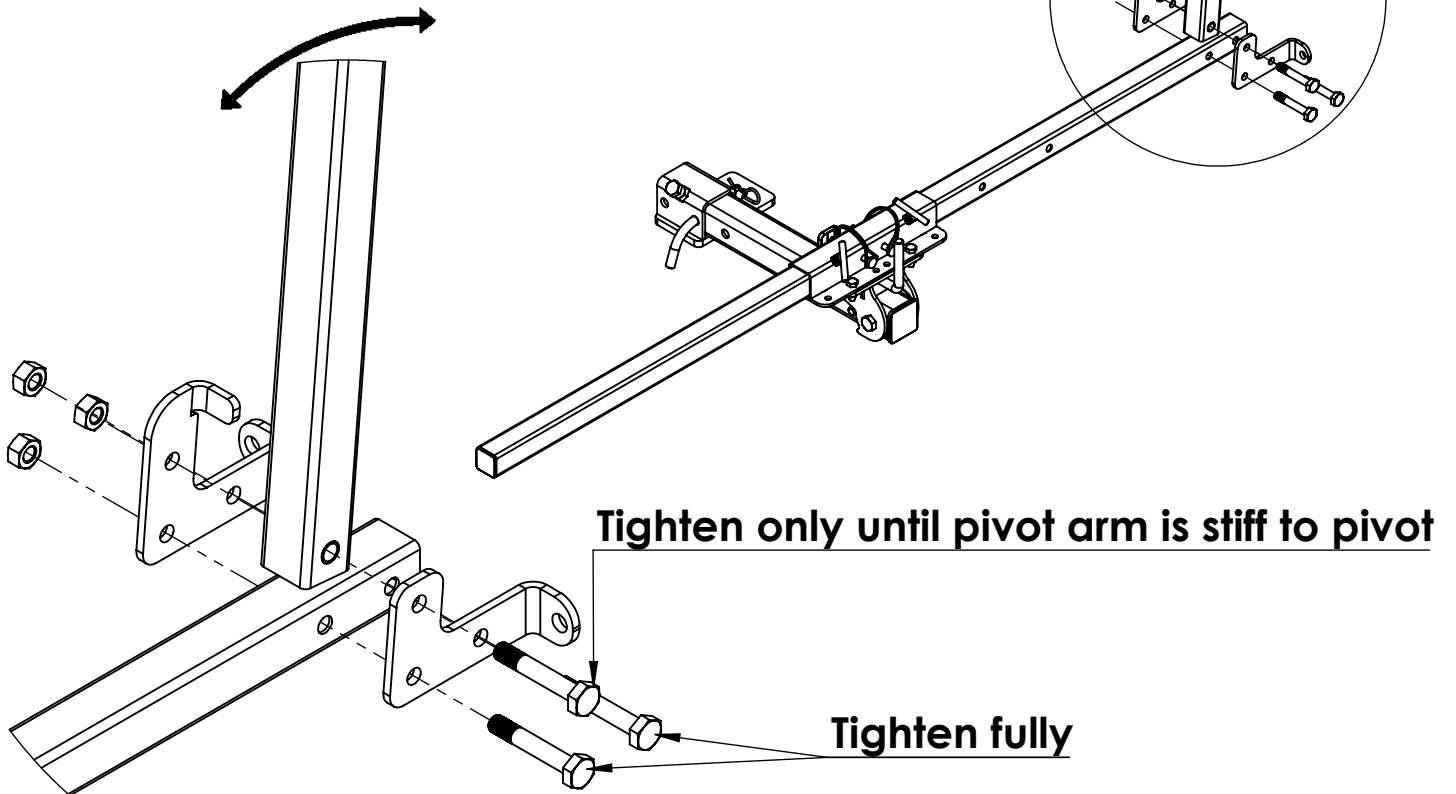
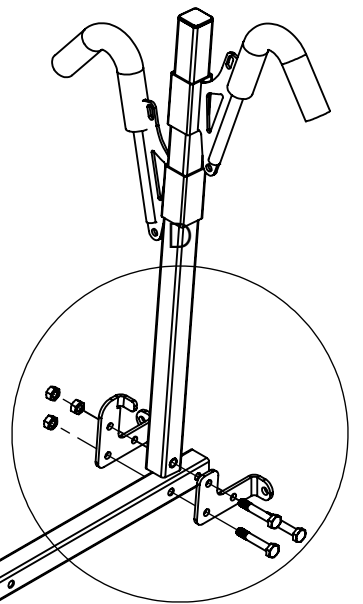
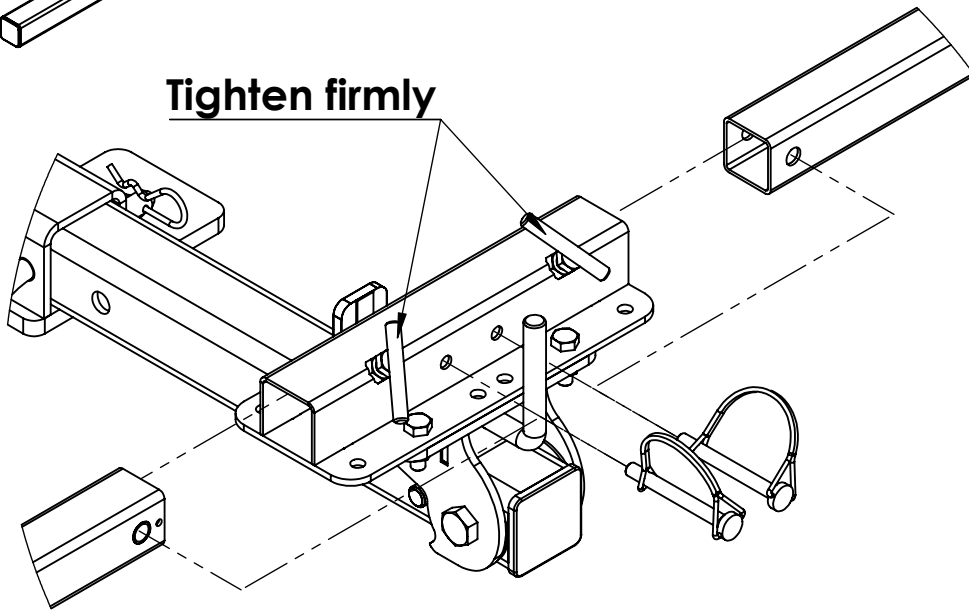
# Fit 50mm Square QR hitch' to your receiver



# Fitting Arms

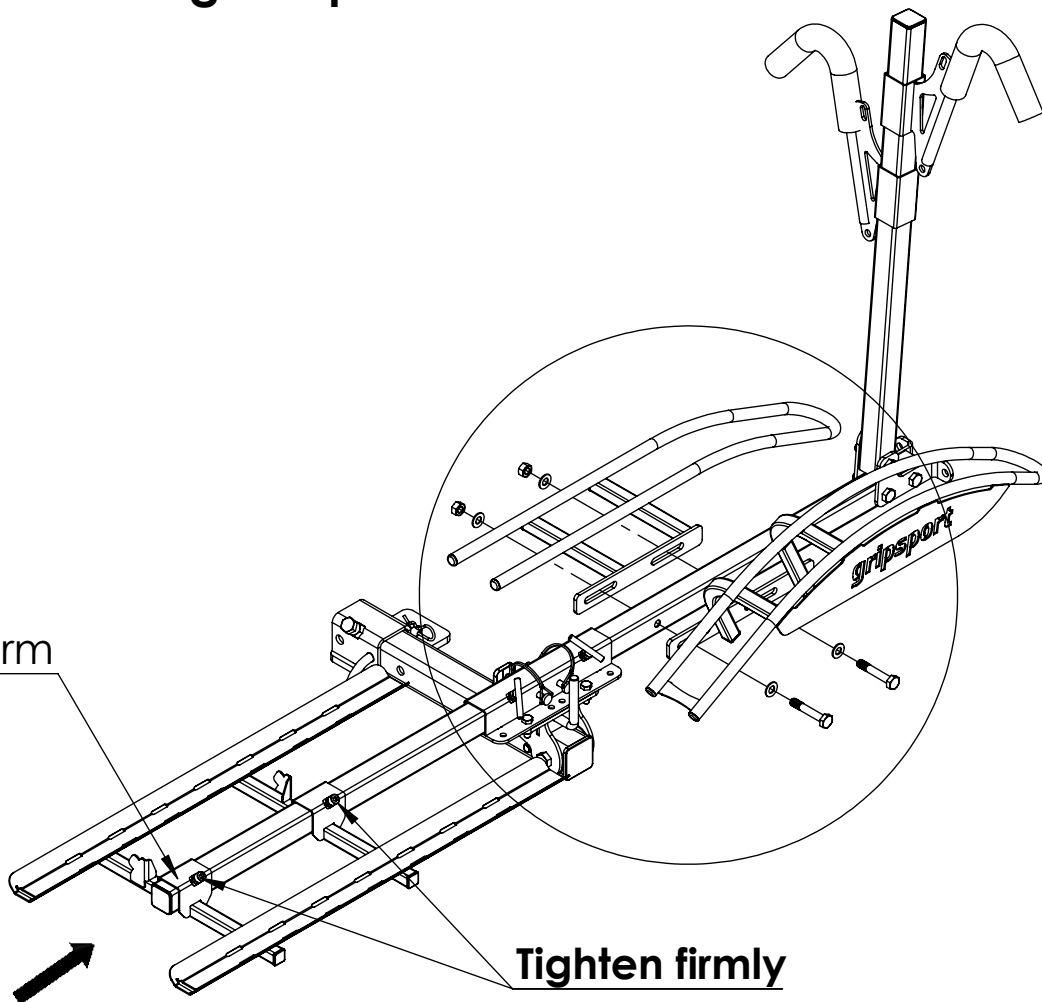


**Tighten firmly**



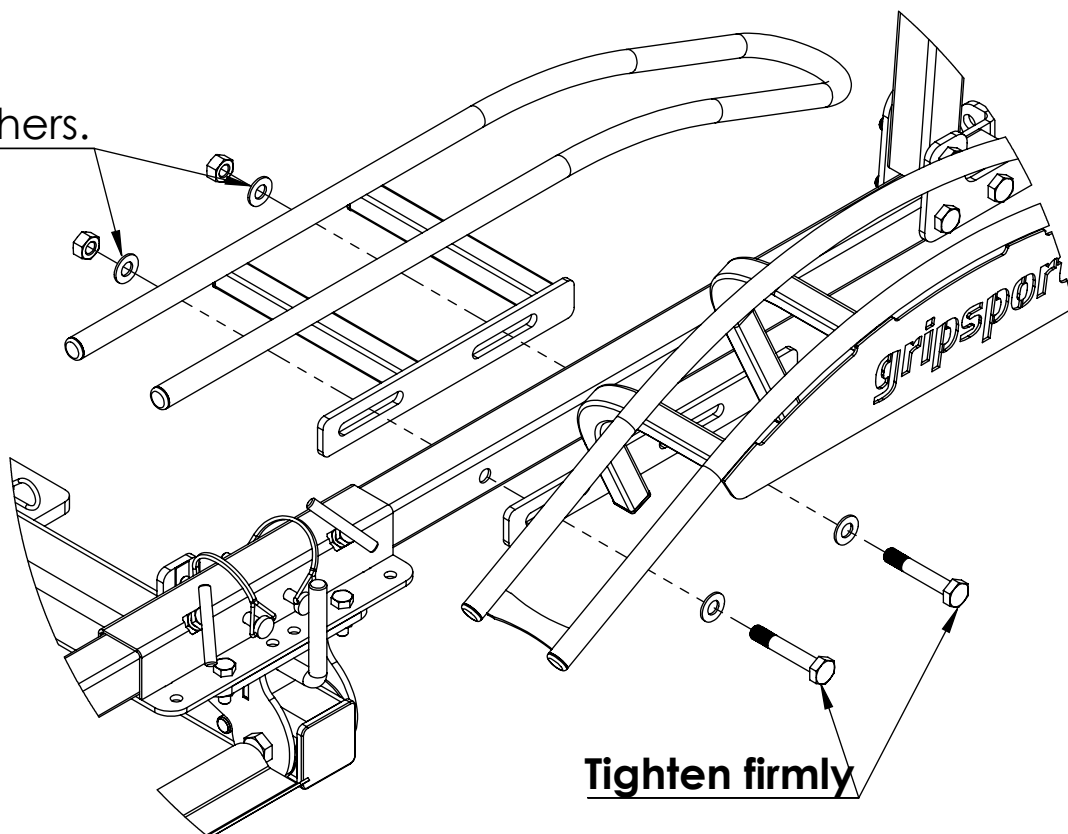
# Fitting Hoops & Track

Fit track onto arm



Fit hoops to arm

**Note** washers.



## Loading Bikes

Thread cinch strap through track.

Position pivot arm.

**Note.** Arm **MUST** be against stop.

Fit Ramp

Place hook over front wheel

**Load bike closest to vehicle first**

**Note.** Always place **FRONT** wheel in hoop.

Tighten cinch strap around wheel rim.

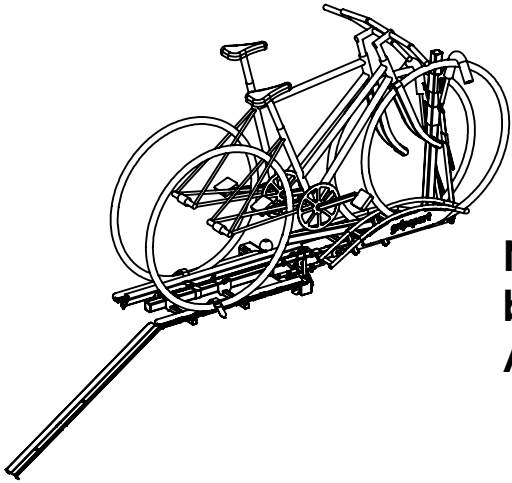
**Note.** Strap **MUST** be as close to lowest part of wheel as possible.

Fit tie-down strap  
Tighten firmly

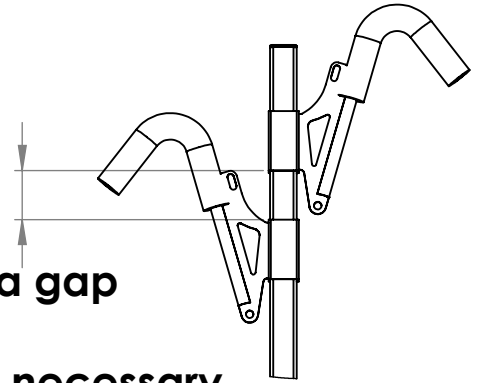
## Attention !

- Make sure tyres are inflated to recommended pressure.
- This carrier is NOT designed for off road use.
- Maximum carrying capacity 30Kg per bike.
- Tighten everything & check often.

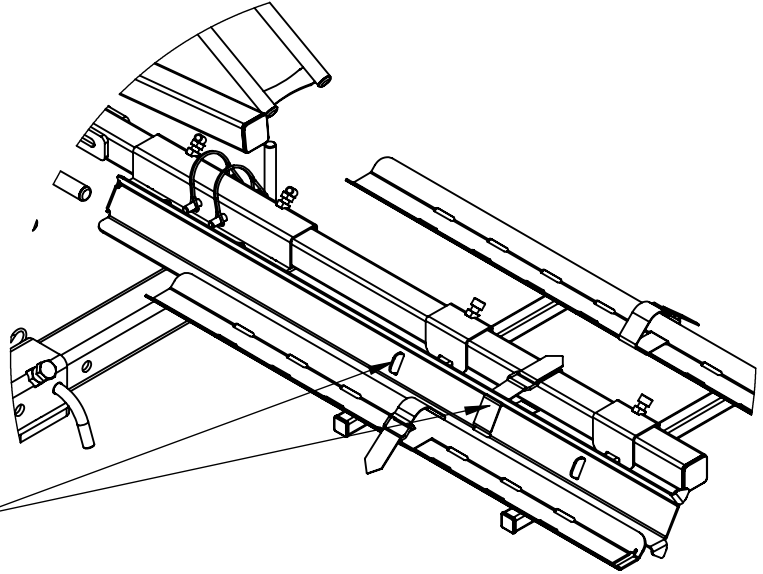
## Repeat with second bike



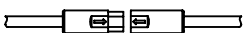
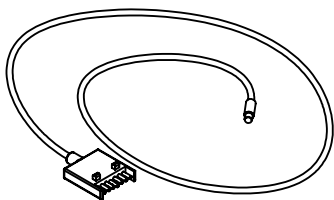
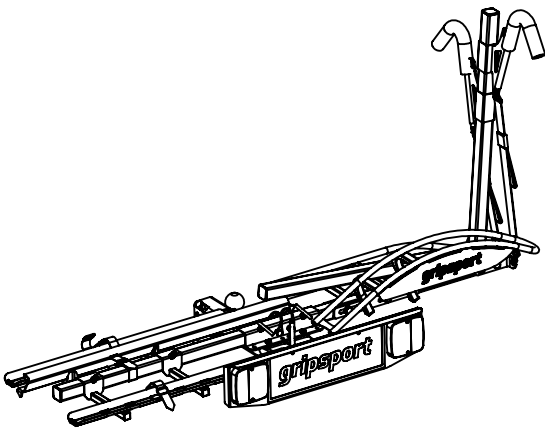
**NOTE.** There must be a gap between the hooks.  
Adjust bike position if necessary.



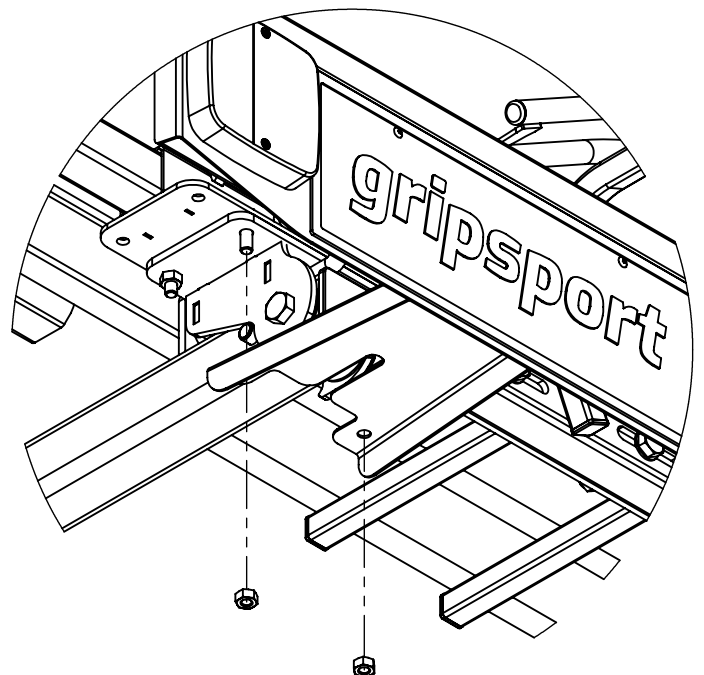
Stow ramp on carrier & secure with cinch strap when travelling.



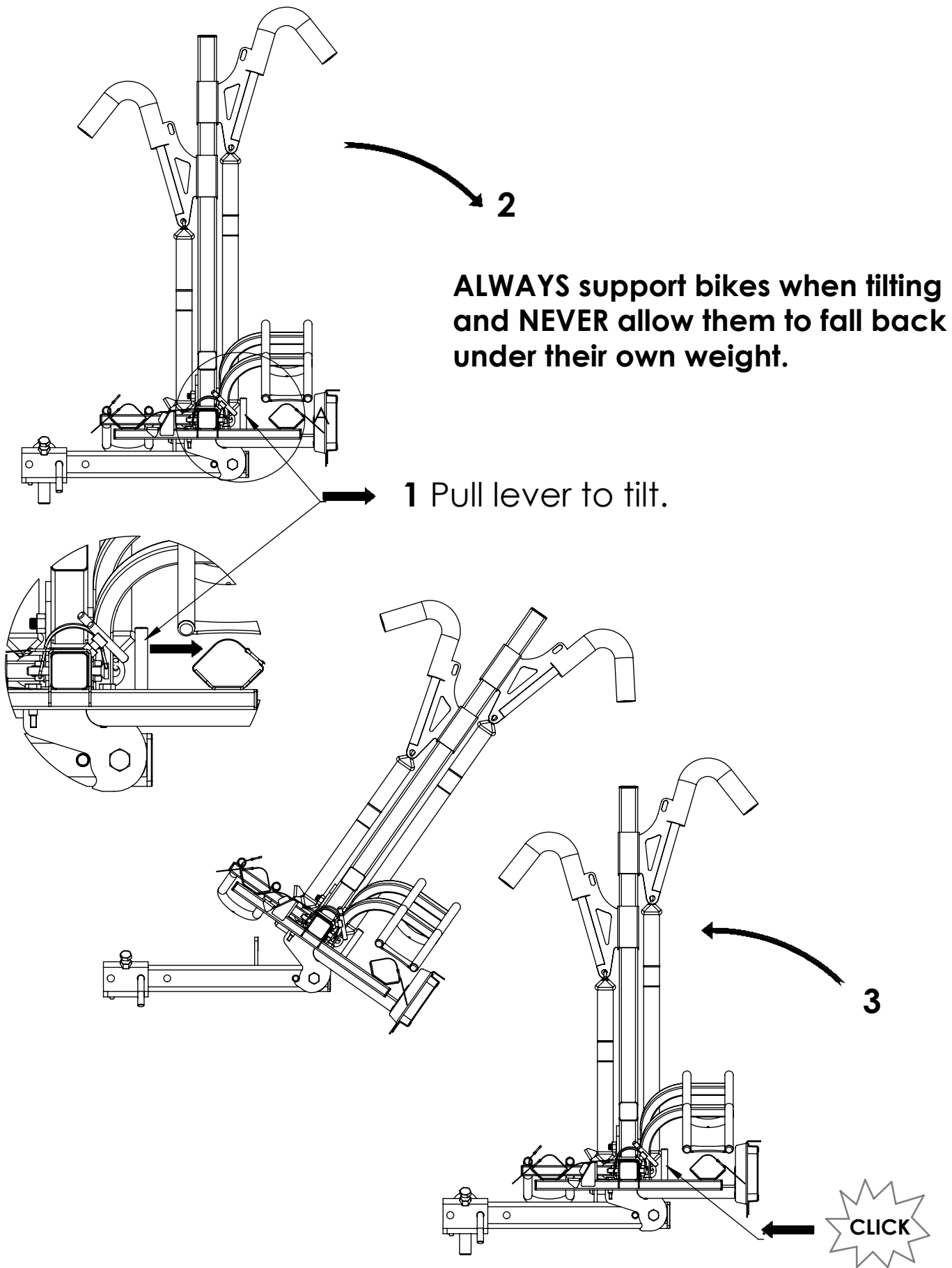
## Fitting Rack Light (GSE+ only)



Connect plug to wiring loom



## Tilt Function

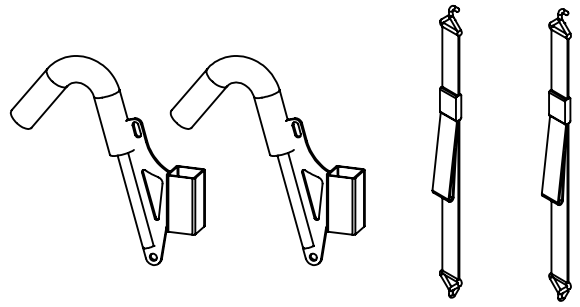


**Check rack is locked  
in upright position before  
driving.**



# Breaking rack down

1. Remove hooks & tie down straps



2. Remove pins

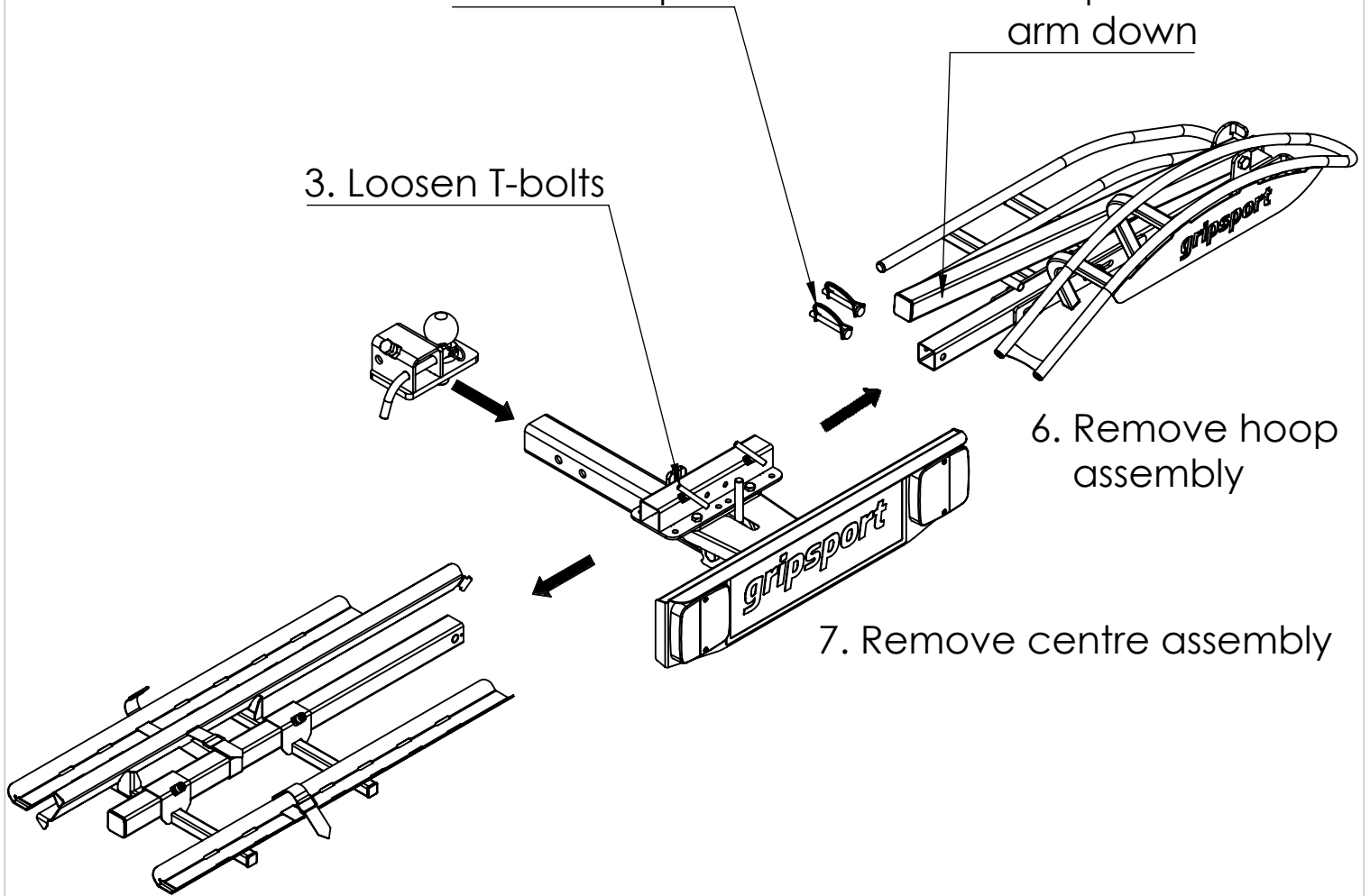
3. Loosen T-bolts

5. Fold pivot arm down

6. Remove hoop assembly

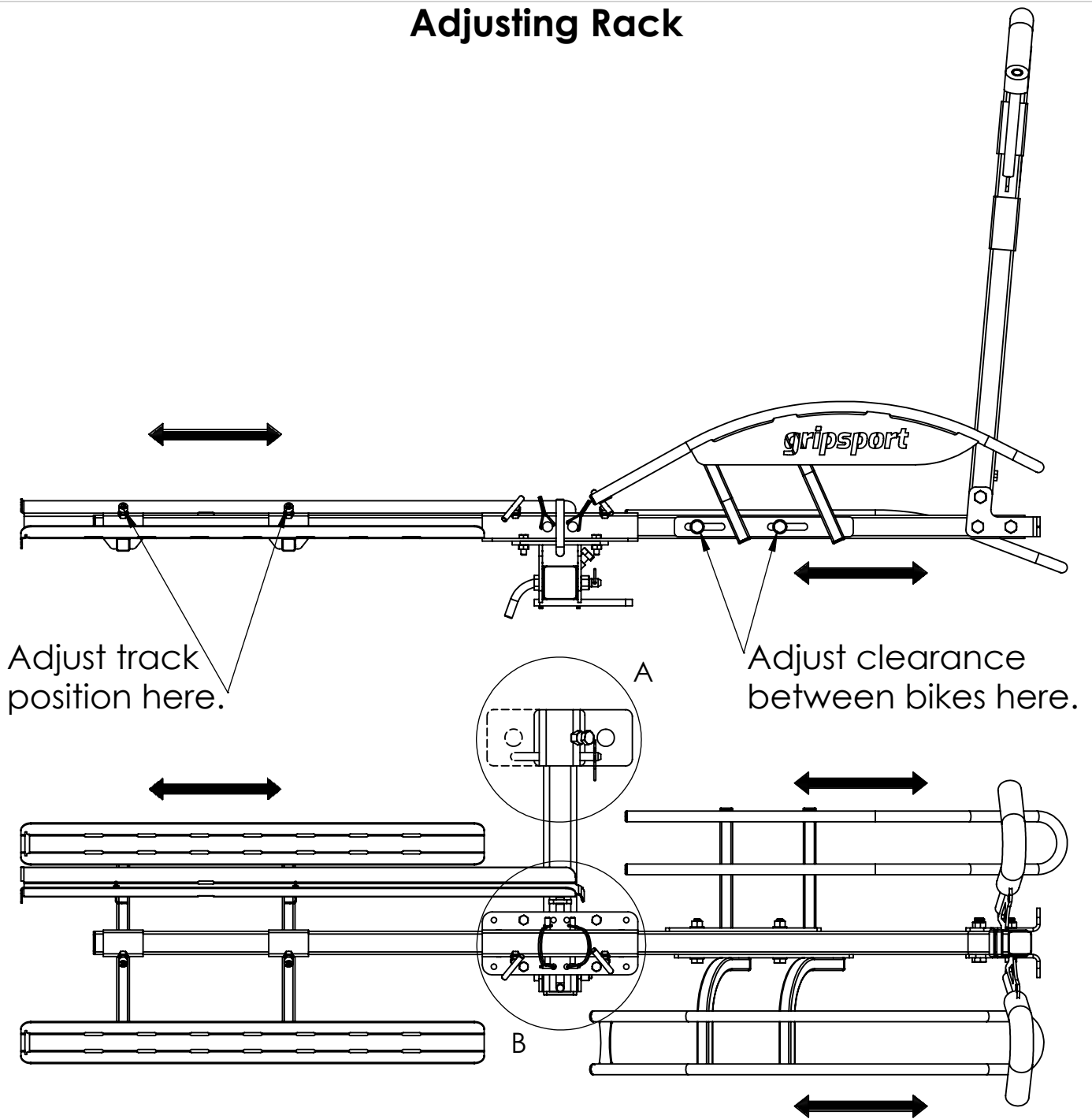
7. Remove centre assembly

4. Remove track assembly



Assembly is reverse of above.

# Adjusting Rack



To centre rack on vehicle.

Rotate Tongue QR Hitch 180°  
on towbar tongue

and / or

Undo bolts &  
Reposition centre assembly

