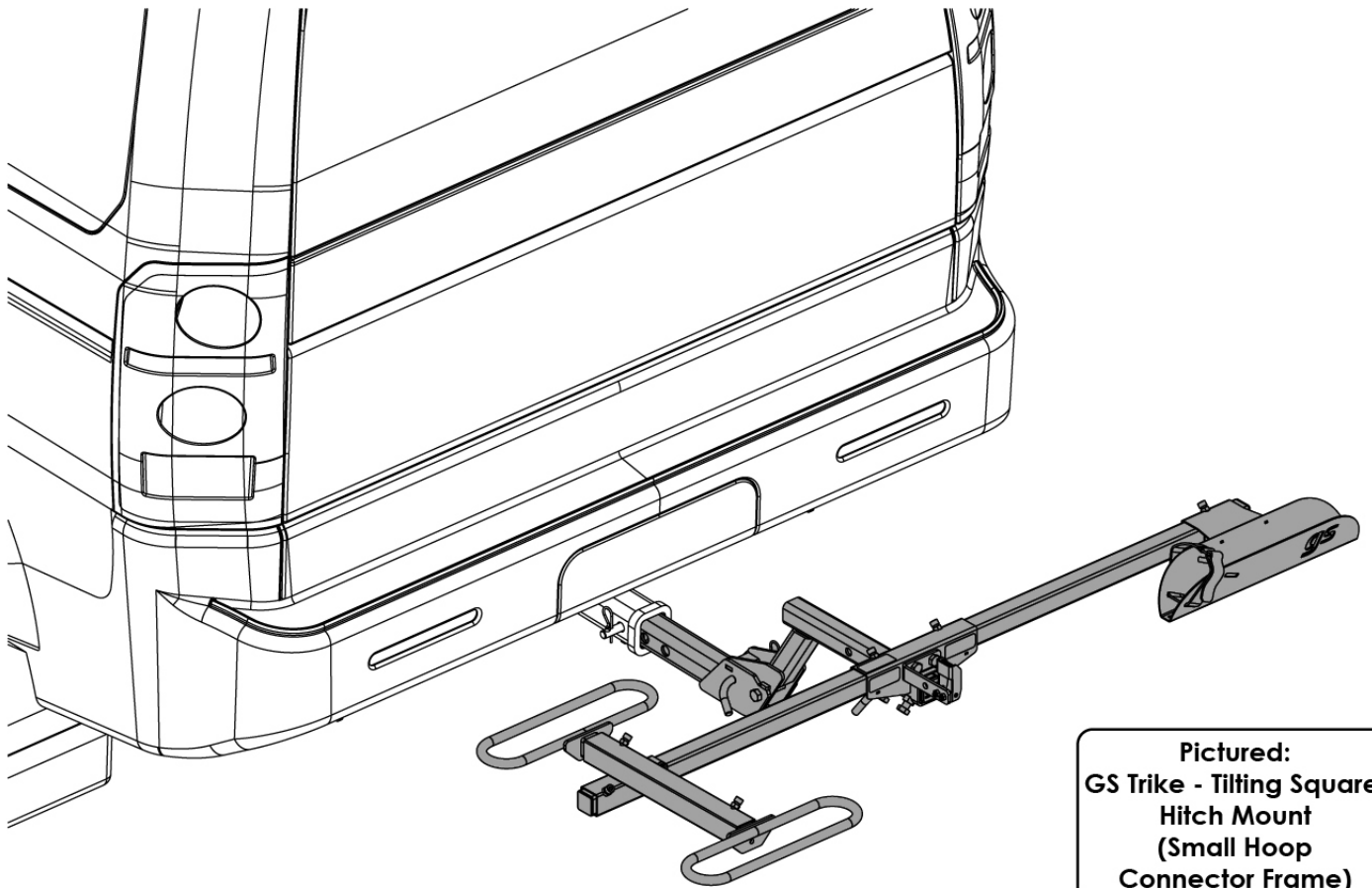


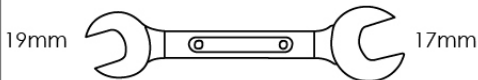
GS Trike Rack

gripsport[®]



**Pictured:
GS Trike - Tilting Square
Hitch Mount
(Small Hoop
Connector Frame)**

Tools required:



Rated: 1 x 50kg Trike
Square Hitch: Medium Off-Road use
Tongue Hitch: Light Off-Road use

Warranty:
5 year limited lifetime.
See all details online at:
www.gripsport.com.au/terms-conditions



facebook.com/gripsport.real



[@gripsportbikeracks](https://www.instagram.com/gripsportbikeracks)



bit.ly/GripSportVideos



Hand tools assembly only.
Do not use power tools.



Read and refer to this manual to ensure correct assembly and installation.



Danger of accident and injury if these instructions are not followed. If unsure, contact gripsport or get a qualified installer to assist.



website info at:
www.gripsport.com.au

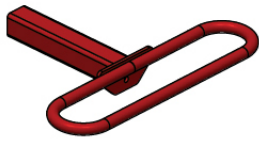
GS Trike Rack - Parts List

gripsport

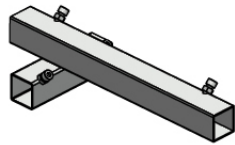
GS Trike with Small connector frame shown.

Large connector frame also available.

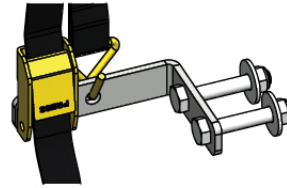
All other parts, quantities and assembly process are the same.



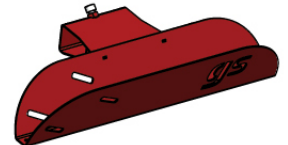
2 x Trike Hoops



1 x Hoop Connector
Frame
(Small frame shown)



1 x Tie Down Bracket
with Strap



1 x "Taco" Wheel Channel
(Included in GS Adventure
Instructions)

GS Trike Rack - Assembly Instructions

This assembly guide is supplementary to the GS Adventure Assembly Instructions.

1. Replace Steps 2-5 of GSA Instructions.

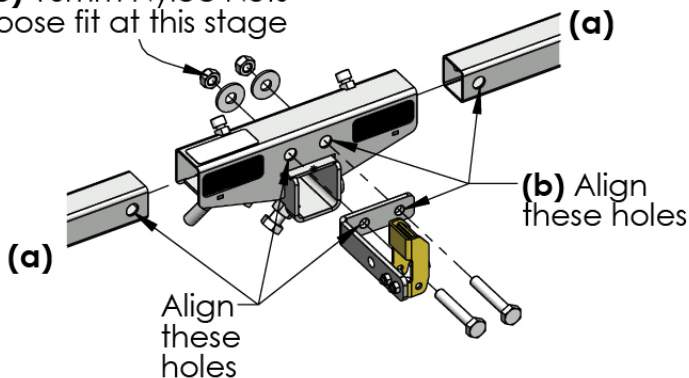
(a) Insert Outrigger Arms into carrier mount & align holes

(b) Align tie down bracket holes with carrier mount and outrigger holes

(c) Insert 10mm x 60 long hex head bolts through all parts and washers and loosely fit nuts.

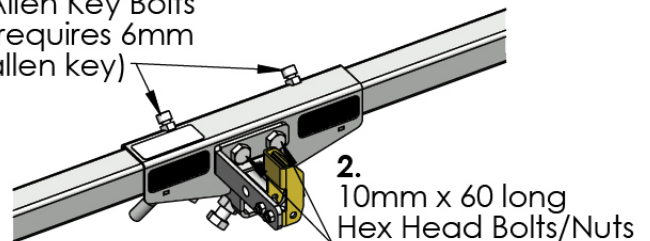
(d) Tighten all bolts in the sequence indicated below

(c) 10mm Nyloc Nuts
Loose fit at this stage

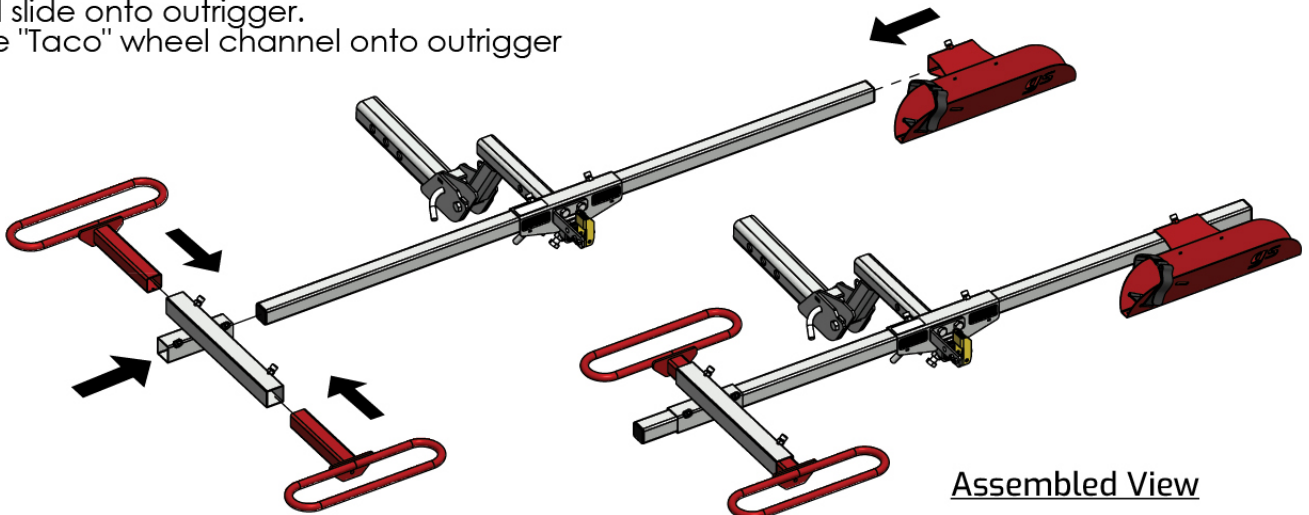


(d) Tighten all bolts in the following sequence

1. Allen Key Bolts
(requires 6mm
allen key)



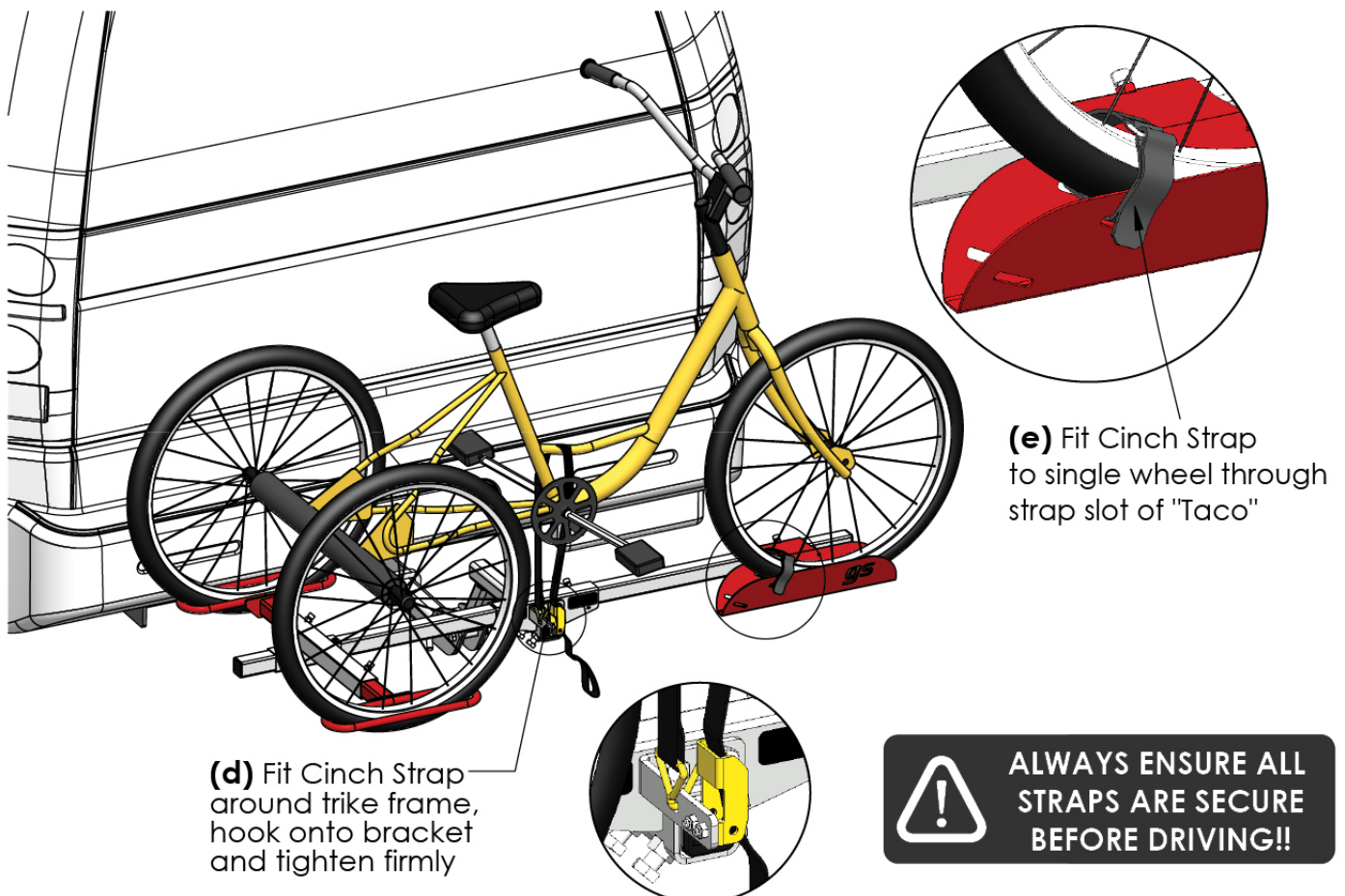
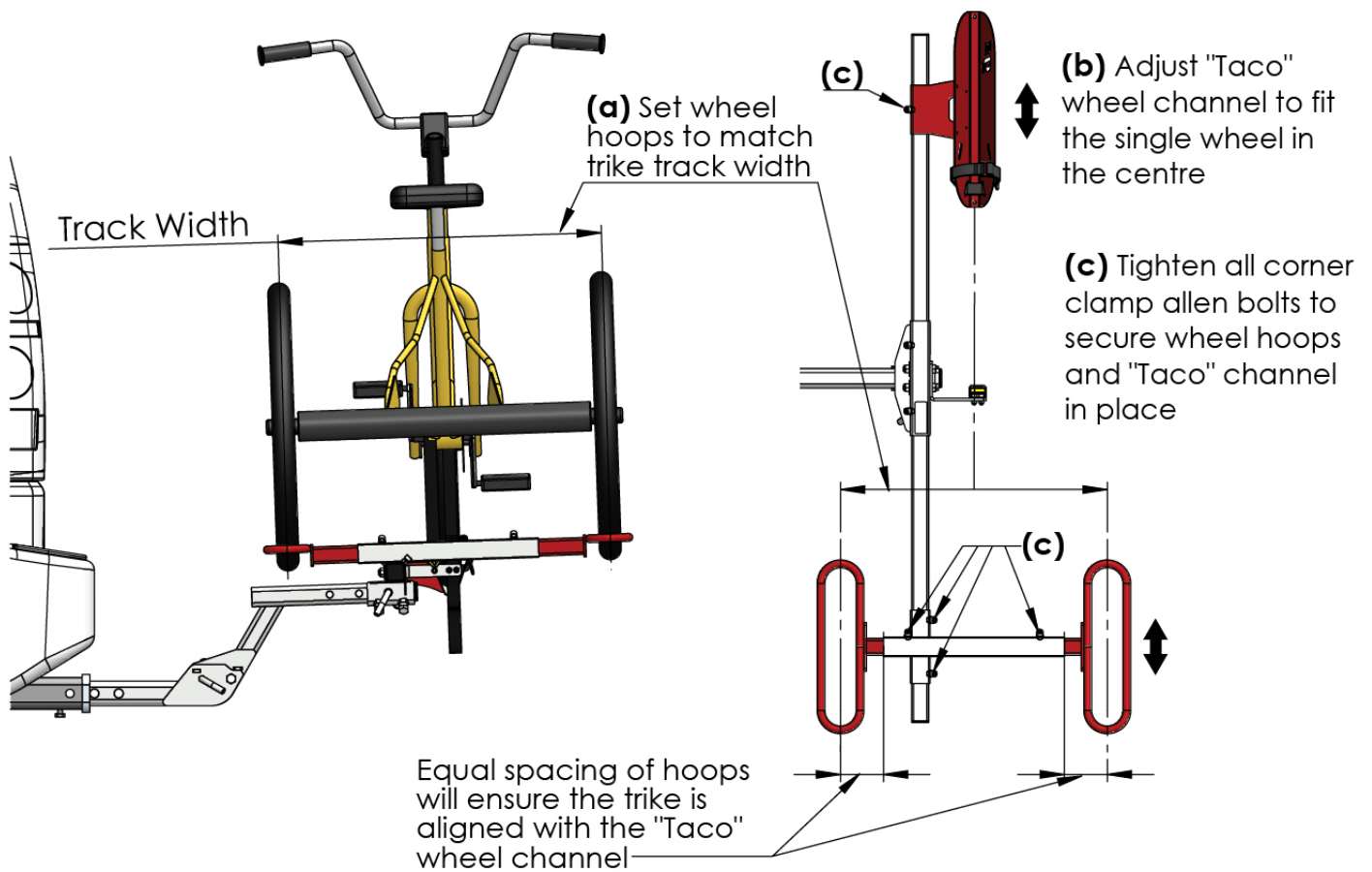
2. Insert trike hoops into frame connector
and slide onto outrigger.
Slide "Taco" wheel channel onto outrigger

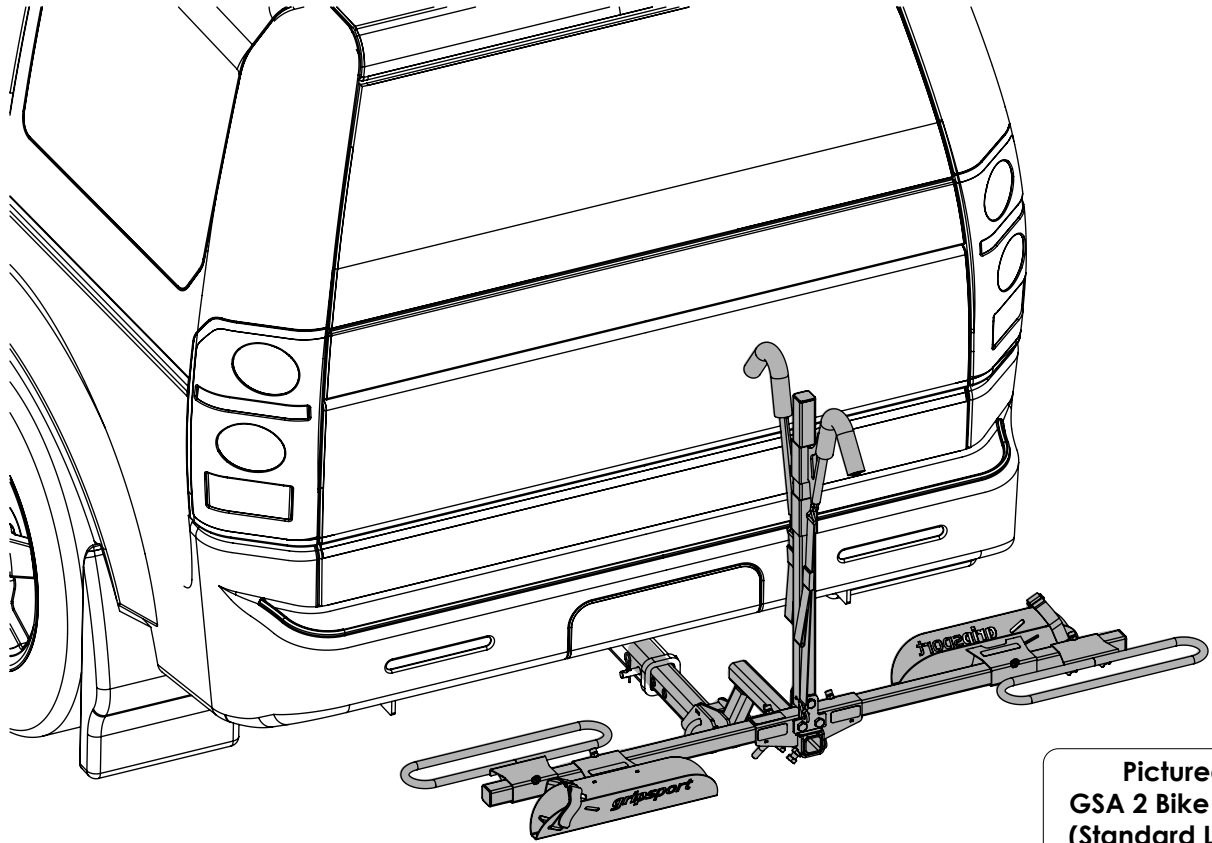


Assembled View

Loading Your Trike

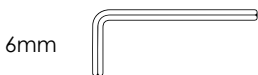
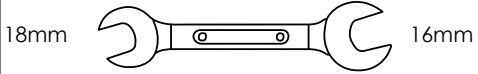
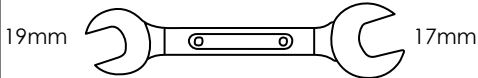
To load your trike, follow these steps:





Pictured:
GSA 2 Bike Tilting
(Standard Length
Tow Bar Adapter)

Tools required:



Rated: 30kg per bike spot
Square Hitch Mount: Off-Road use
Tongue Mount: Light Off-Road only

Warranty:
5 year limited lifetime.
See all details online at:
www.gripsport.com.au/terms-conditions



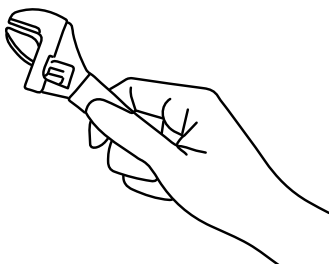
facebook.com/gripsport.real



[@gripsportbikeracks](https://instagram.com/gripsportbikeracks)



bit.ly/GripSportVideos



Hand tools assembly only.
 Do not use power tools.



Read and refer to this manual to ensure correct assembly and installation.



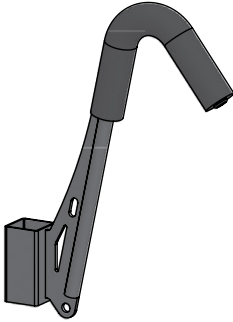
Danger of accident and injury if these instructions are not followed. If unsure, contact gripsport or get a qualified installer to assist.



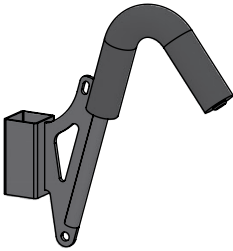
website info at:
www.gripsport.com.au

2 Bike GSA quantities shown below.

1, 3 and 4 bike rack quantities vary accordingly.



1 x Long Hook



1 x Short Hook



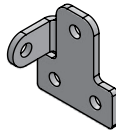
10mm x 60 long Hex Head Bolts (qty 3)



10mm Nyloc Nuts (qty 3)



10mm Large Washers (qty 2)



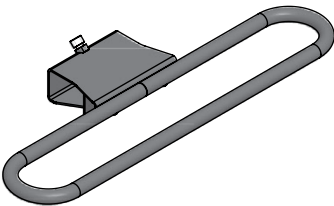
2 x Tab Plates



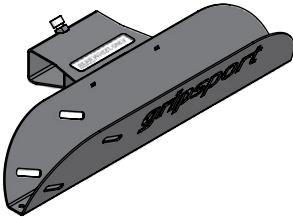
2 x Cinch Straps



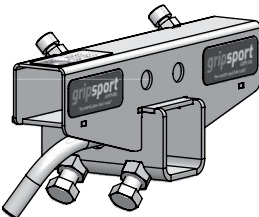
2 x Quick Release Carrier Straps



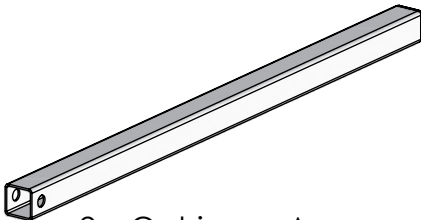
2 x Wheel Hoops



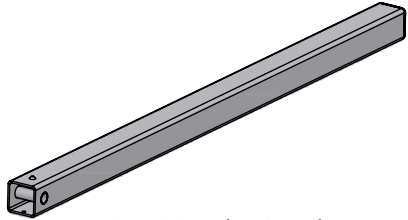
2 x "Taco"
Rear Wheel Channels



1 x Carrier Mount

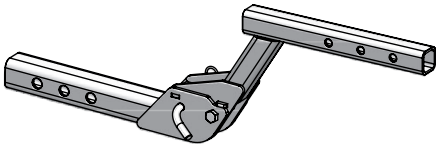


2 x Outrigger Arms

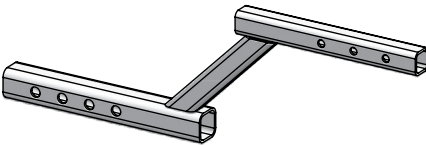


1 x Hooks Post

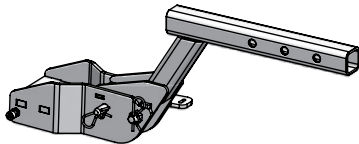
1 selected Tow Bar Adapter:



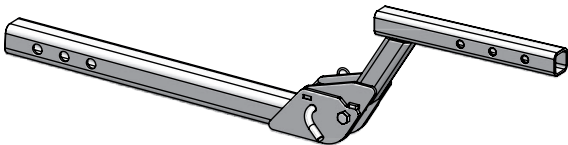
1 & 2 Bike - Tilting
Tow Bar Adapter



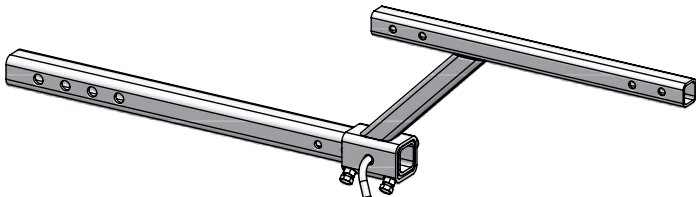
1 & 2 Bike - Fixed
Tow Bar Adapter



2 Bike Tongue - Tilting
Tow Bar Adapter



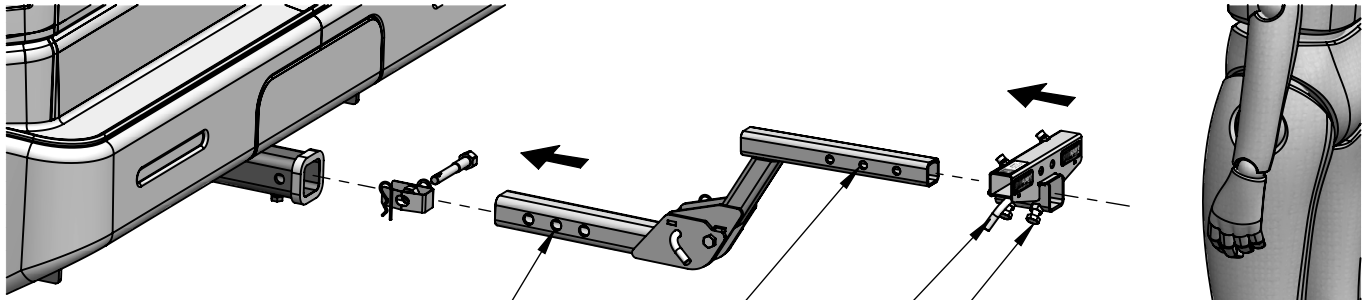
1 & 2 Bike - Tilting, Extended Length
Tow Bar Adapter



3 & 4 Bike - Fixed
Tow Bar Adapter

1. Install Tow Bar Adapter & Carrier Mount

gripsport

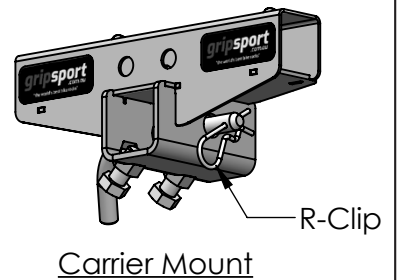


(a) Insert into vehicle hitch to desired position and secure accordingly. Use your safety pin & clip, tighten etc as per your tow bar guidelines. Install Hitch Stabiliser if available.

(d) Tighten 12mm bolts (2 pcs)

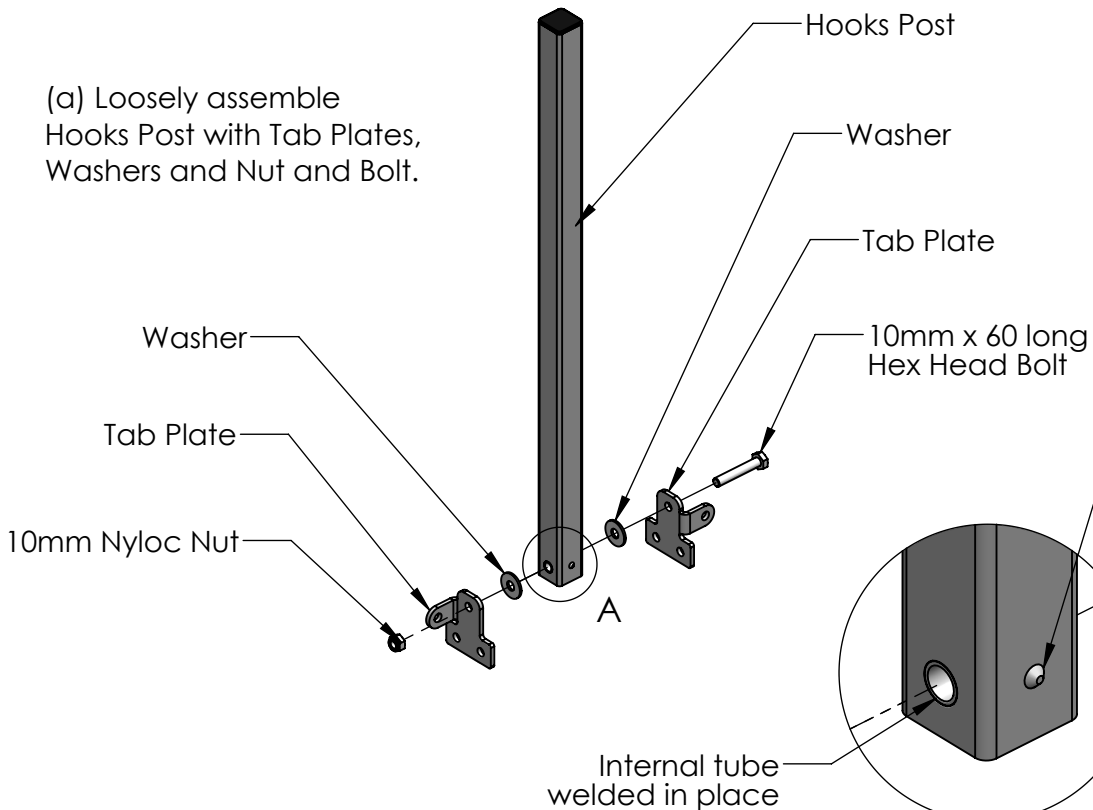
(c) Insert Safety Pin & R-Clip

(b) Set Carrier Mount to desired hole



2. Assemble Hooks Post

(a) Loosely assemble Hooks Post with Tab Plates, Washers and Nut and Bolt.



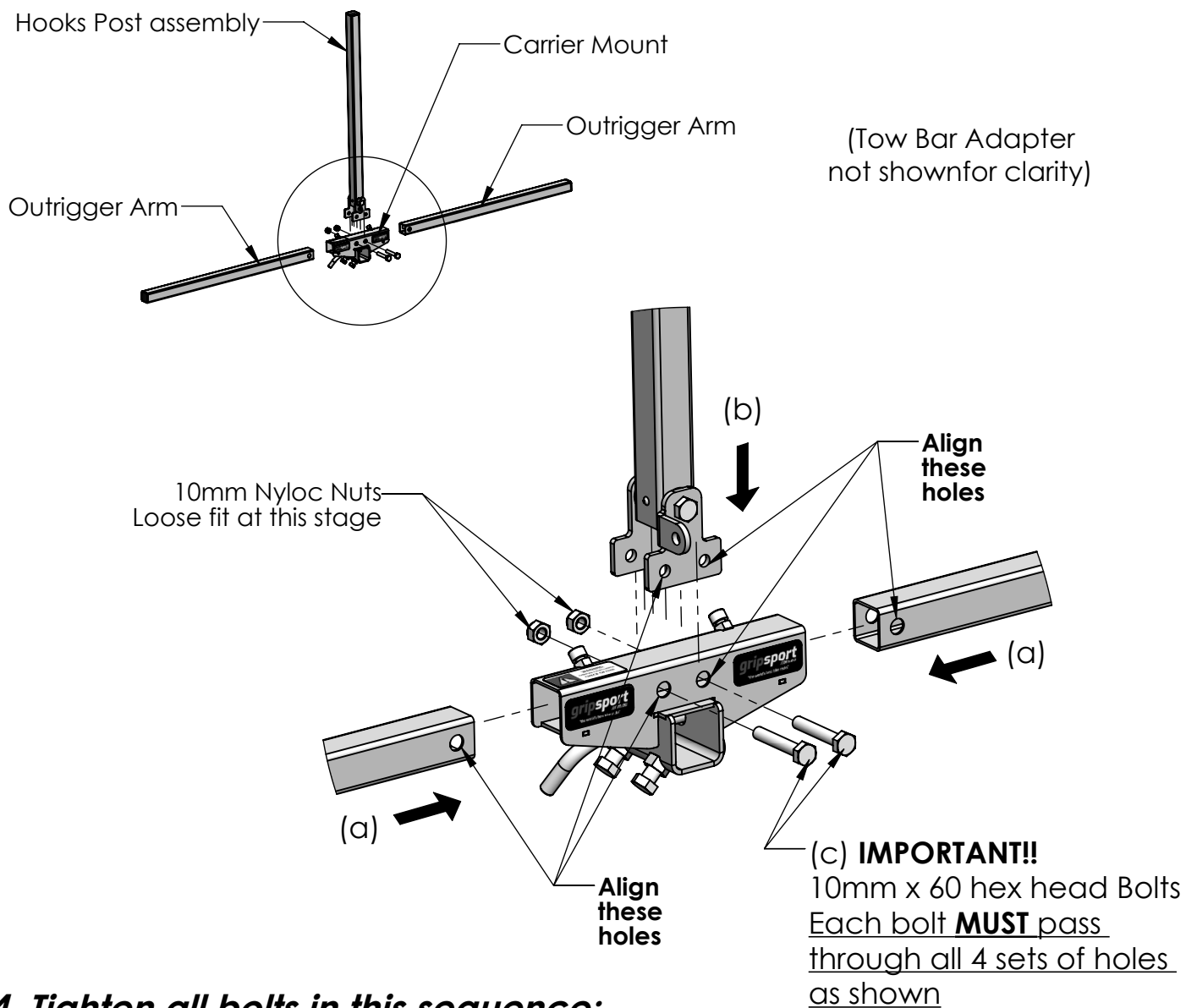
Note: Hooks Post has a small mound and internal tube

DETAIL A

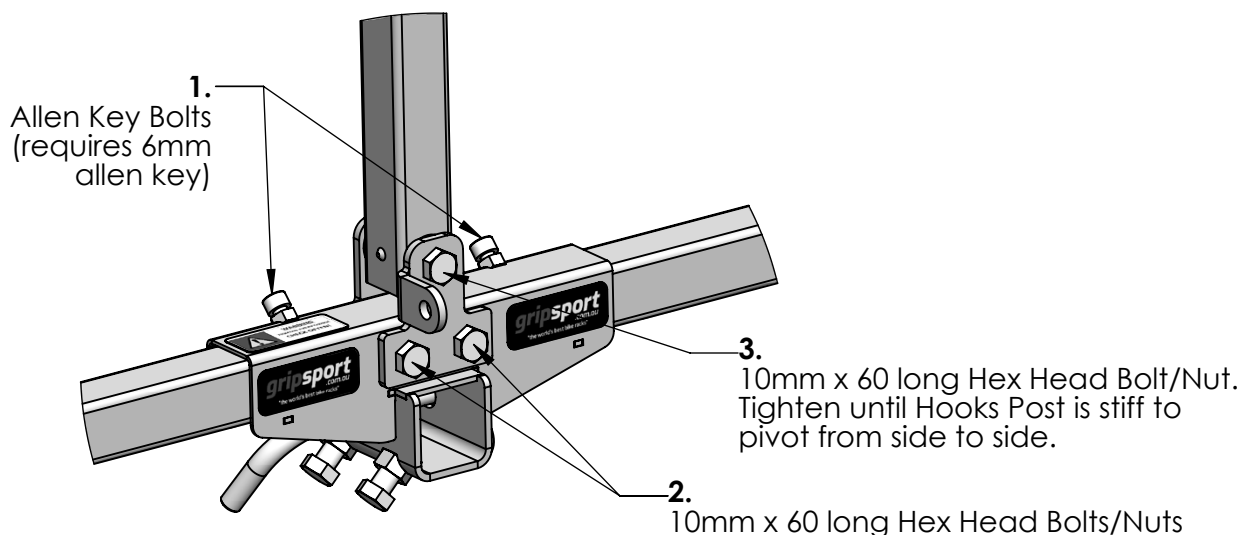
3. Add Outrigger Arms and Hooks Post

gripsport

- (a) Insert Outrigger Arm into Carrier Mount & align holes
- (b) Place Hooks Post assembly over Carrier Mount & align holes
- (c) Insert 10mm x 60 long hex head bolts through all parts & loosely fit nuts



4. Tighten all bolts in this sequence:



5. Fit "Taco" Rear Wheel Channels & Hoops

gripsport

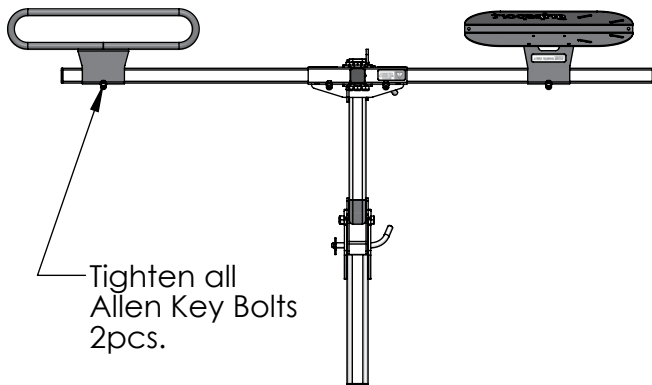
The configurations shown will suit the majority of bikes.

You may need to adjust spacing & arrangement to suit your specific bikes.

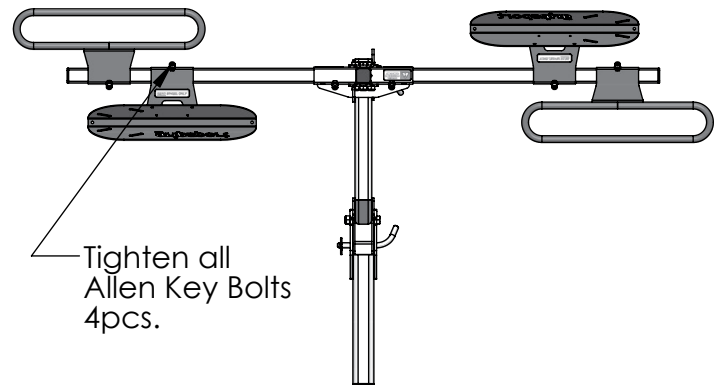
"Taco" Rear Wheel Channel **must only take rear wheel to avoid bikes sliding out during travel.**

1 & 2 Bike Tilting Tow Bar Adapter shown below:

1 Bike

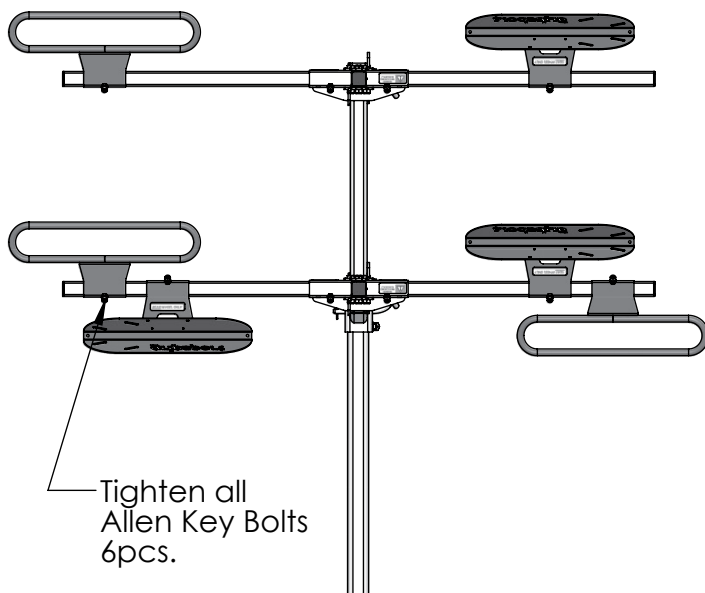


2 Bike

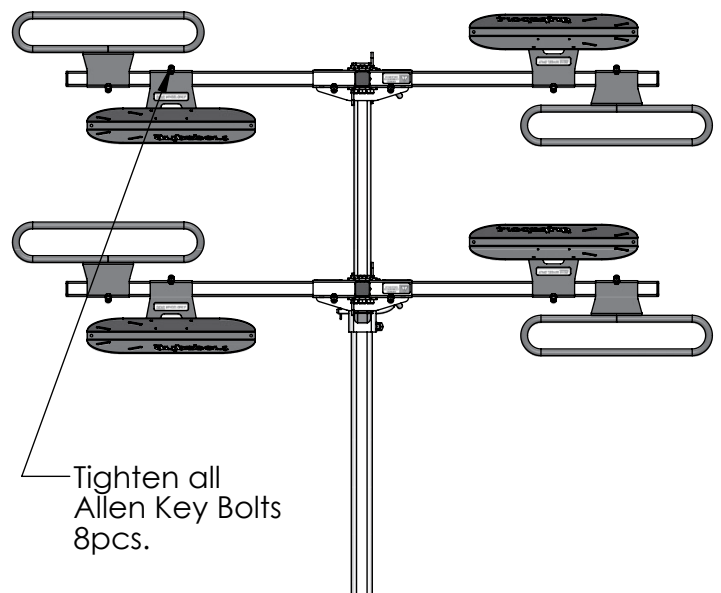


3 & 4 Bike Tow Bar Adapter shown below:

3 Bike



4 Bike



Note: "All-Hoop" set-up:

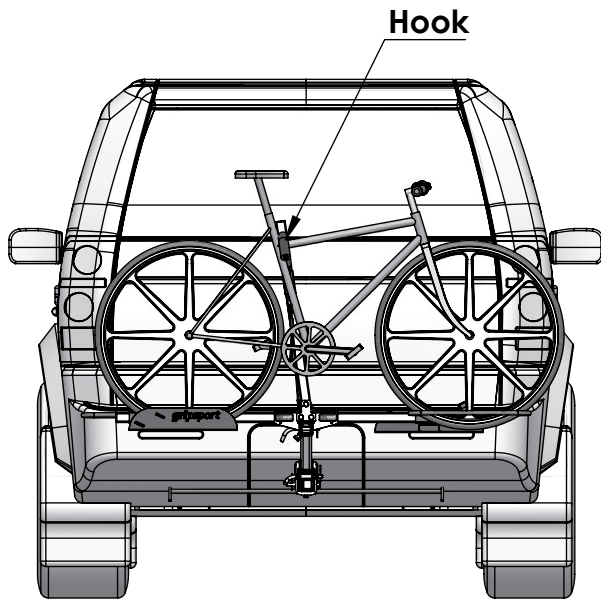
- Use diagrams as above, except use a Hoop in place of a Taco + Cinch Strap.
- The Hoop must be positioned along the Outrigger Arm according to each specific bike wheelbase length, to ensure both tyres sit down snugly in both hoops.
- If a new bike is used with a different length, the Hoop will need to be repositioned again.
- Always ensure all Allen Key Bolts are tightened after repositioning.

6. Loading Bikes

gripsport

IMPORTANT:

If carrying only one bike the Hook **MUST** be placed at the **LOWEST** point on the top tube.



IMPORTANT:

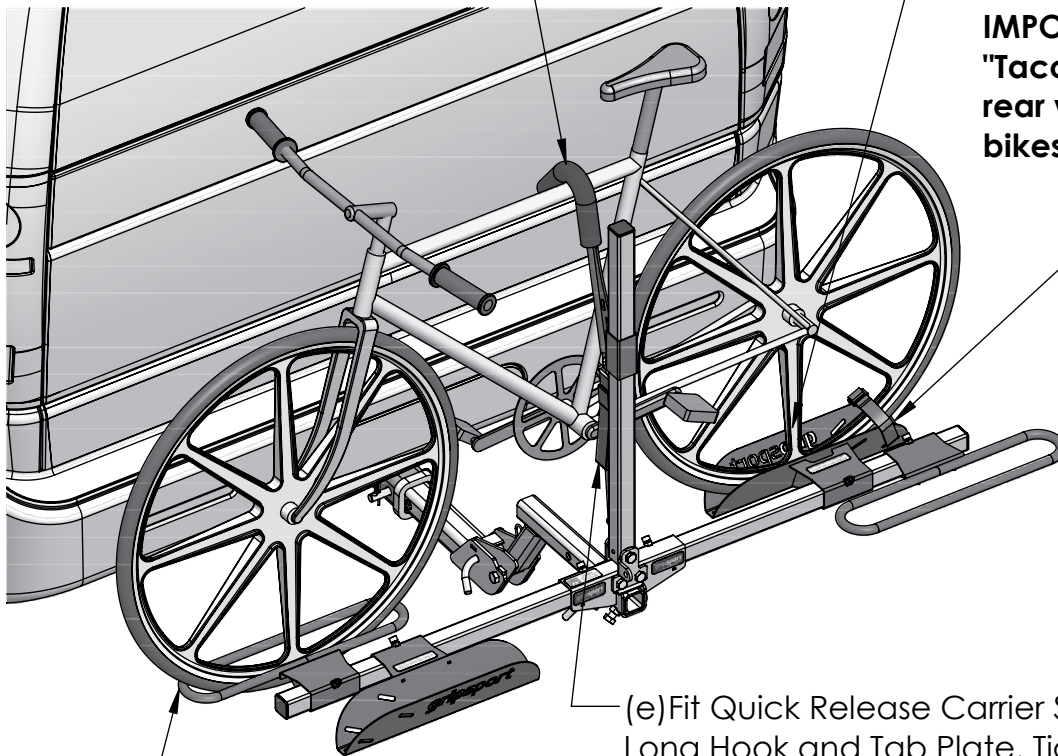
Step-through frames **MUST** be fitted with a Top Tube Adapter (sold separately).



First bike

Follow steps outlined below:

(c) Use Long Hook first



(b) Rear Wheel in "Taco" Rear Wheel Channel.

IMPORTANT:
"Taco" can only take rear wheel. Otherwise bikes may loosen.

(d) Fit Cinch Strap to rear wheel through rear slot of "Taco".

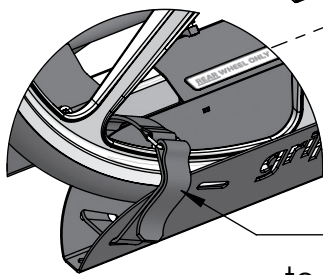
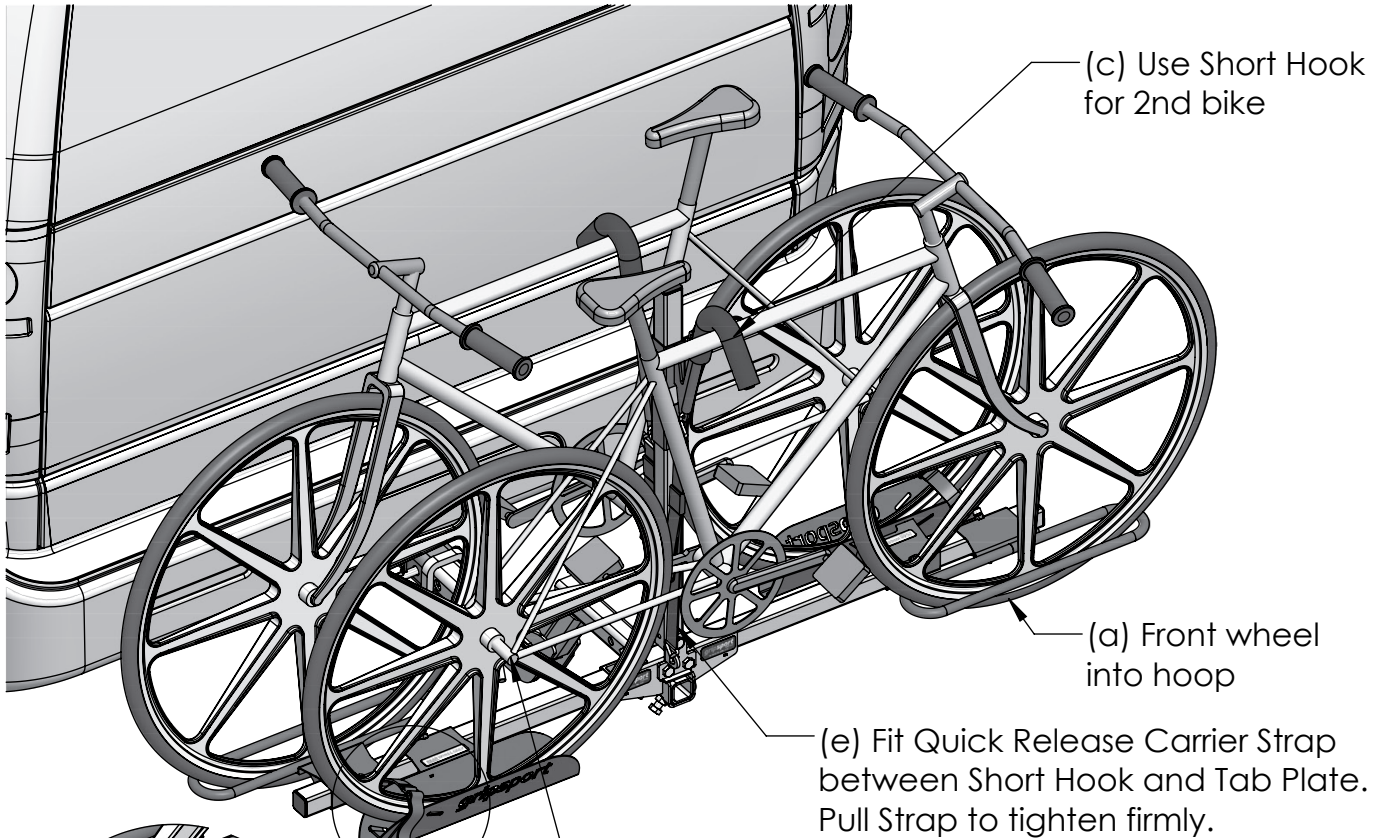
(e) Fit Quick Release Carrier Strap between Long Hook and Tab Plate. Tighten firmly.

(a) Front wheel in Hoop.
(front wheel in Taco may result in bikes coming loose)

7. Loading second bike

gripsport

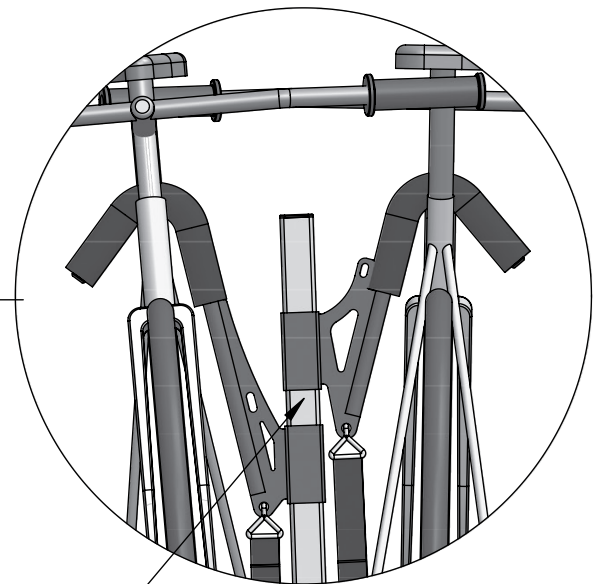
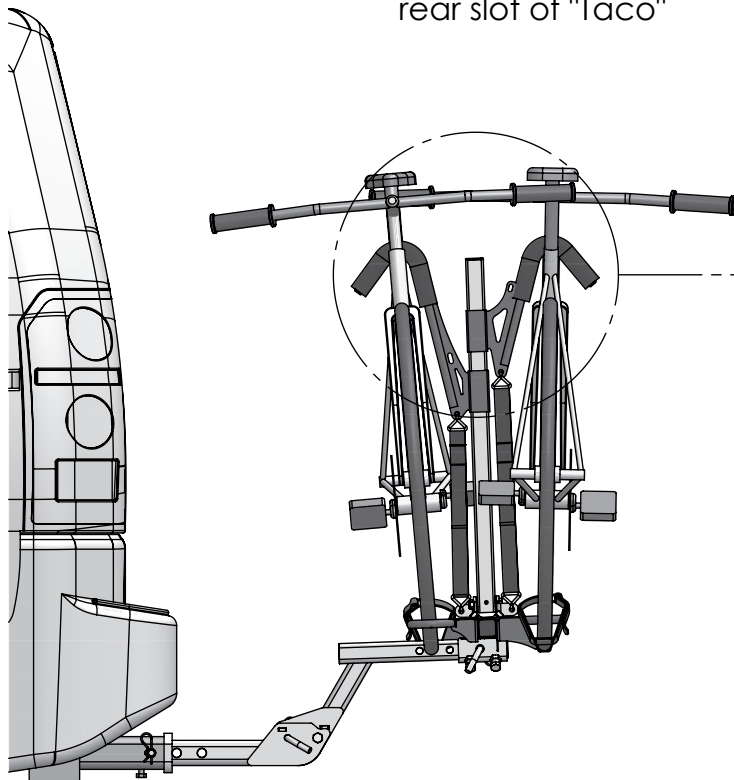
To add your second bike, follow these steps:



(d) Fit Cinch Strap to rear wheel through rear slot of "Taco"

(b) Rear wheel into "Taco" Rear Wheel Channel

Check & Tighten all straps firmly!



IMPORTANT

There MUST be a gap between the Hooks.

Adjust position of pivoting Hooks Post if necessary.

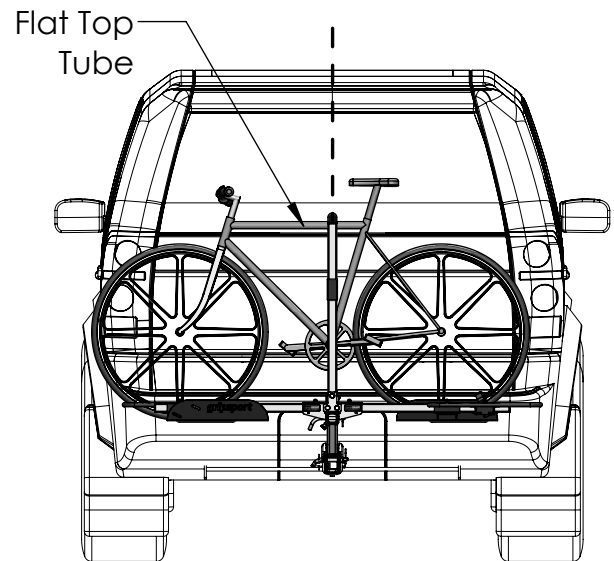
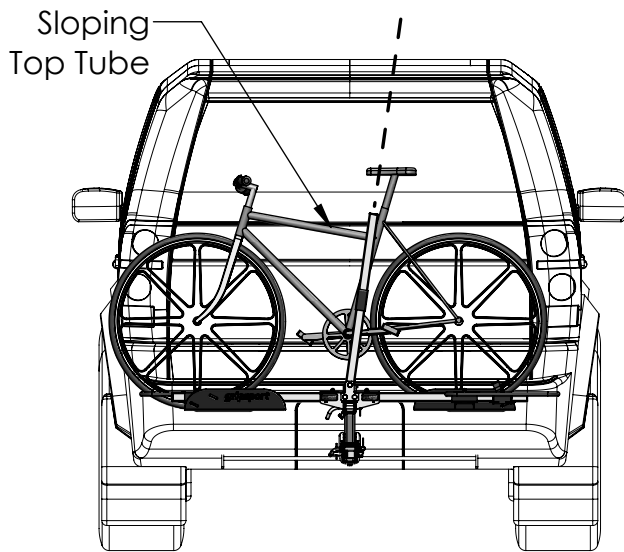
8. Hooks & Post positions for bike arrangements

gripsport

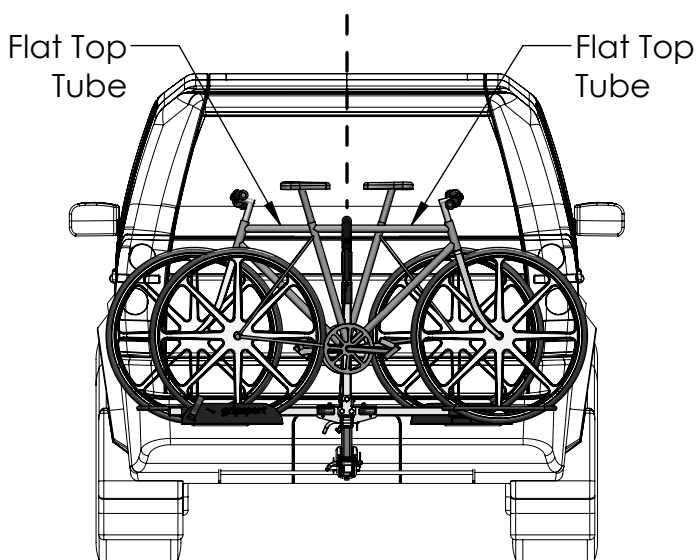
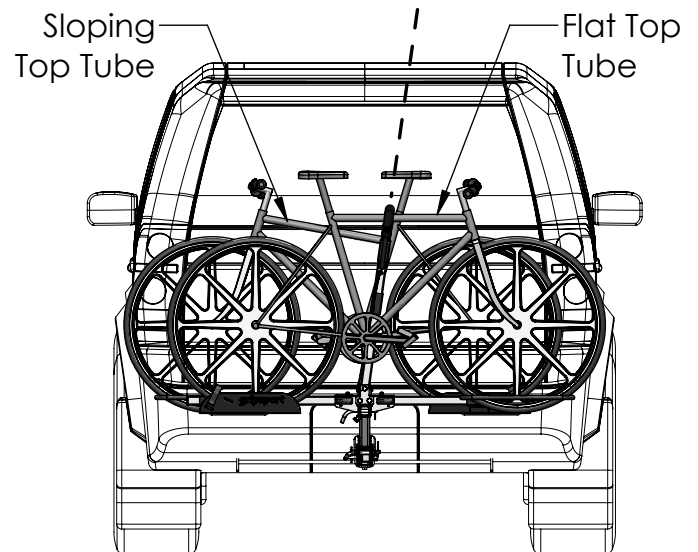
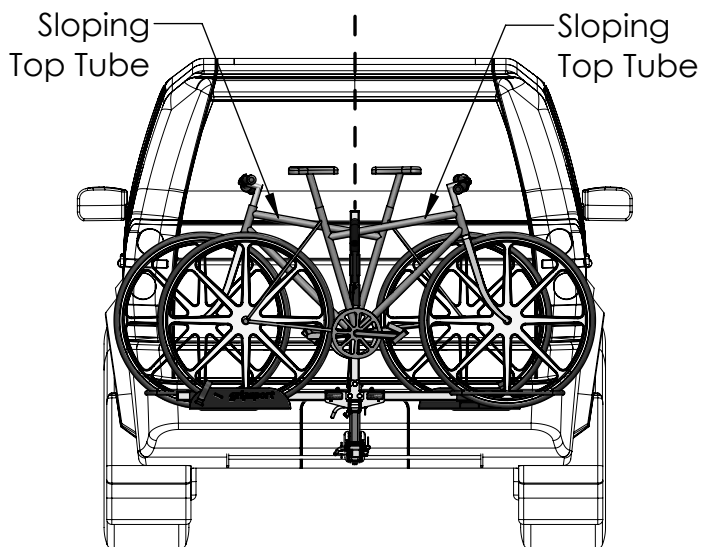
1 bike only arrangements - Note position of Hooks Post:

Shown for bike in position closest to vehicle.

IMPORTANT: Rear wheel MUST ALWAYS sit in the "Taco" Rear Wheel Channel!



2 bike combinations - Note position of Hooks Post:



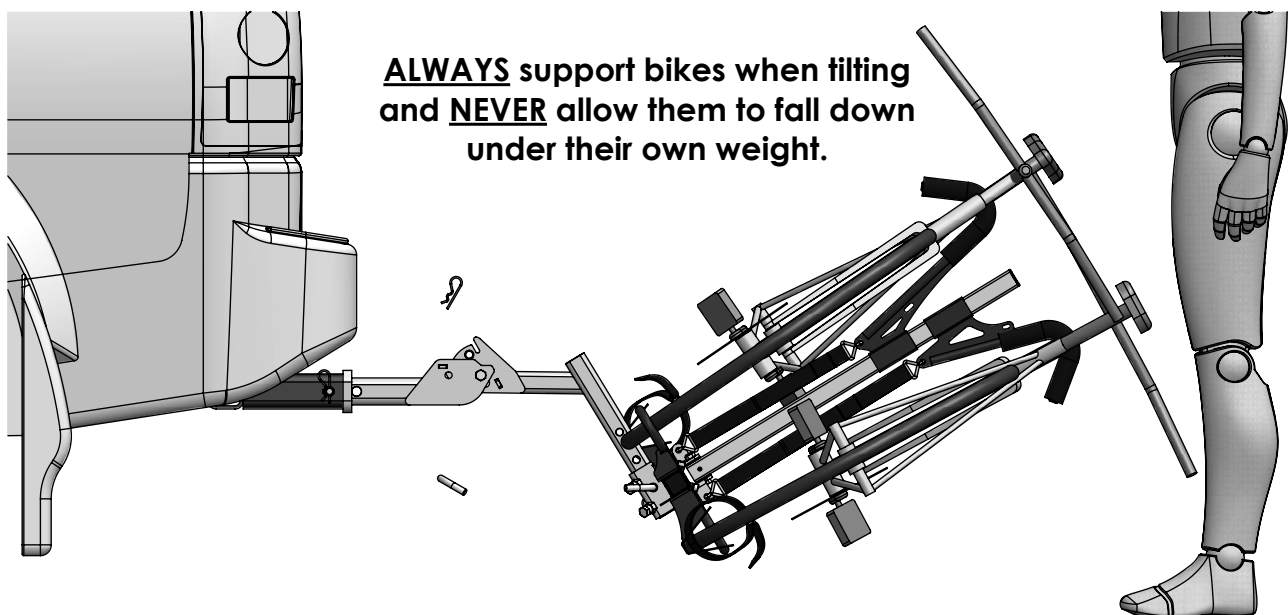
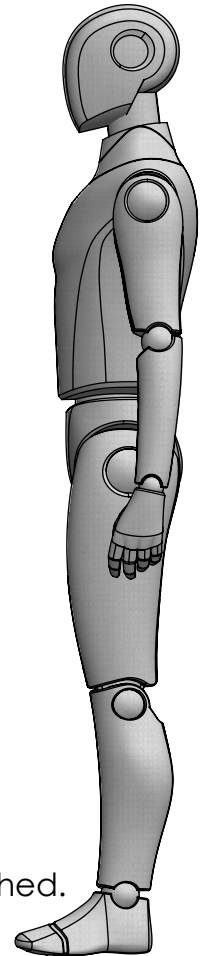
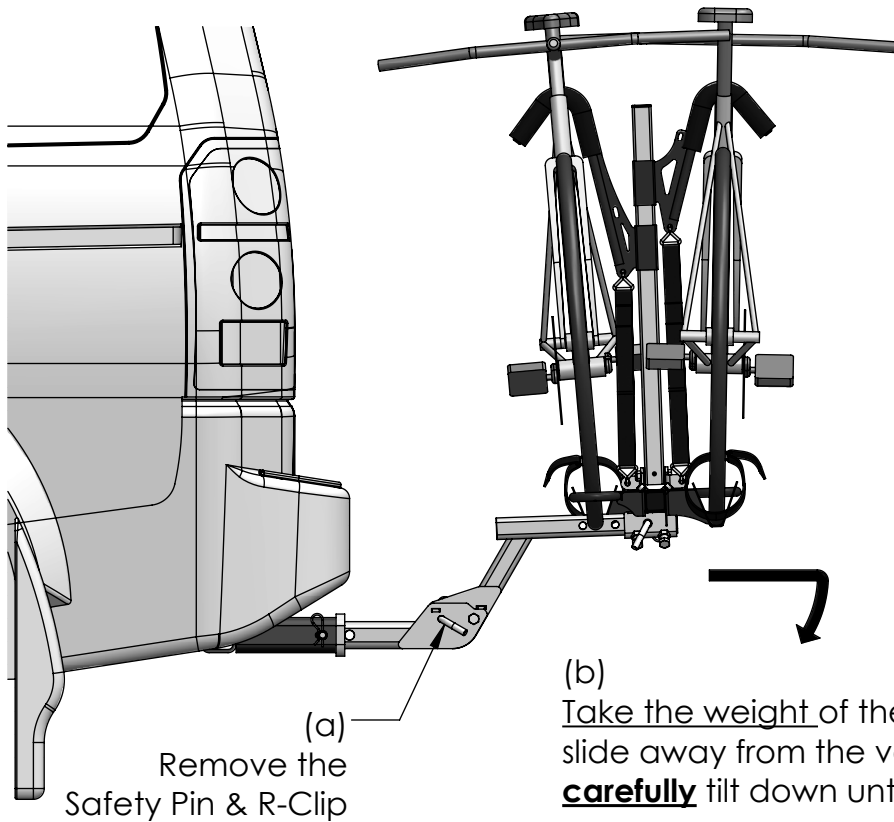
Notes:

1. Hooks Post can be tilted sideways as needed to ensure the correct fitting as shown.
2. Step through frames require a Top Tube Adapter, as shown on other page.
3. A gap must be maintained between hooks after fitting, as shown on other page.

9. Tilting 1&2 Bike Tow Bar Adapter

gripsport

To gain access to the boot or tailgate of your vehicle, you can **gently** tilt the carrier down with the bikes loaded.



10. Tongue Mount - Tilting 1&2 Bike version

gripsport

The Tongue Mount Tow Bar Adapter tilting function works in the same way as the Square Hitch model shown previously.

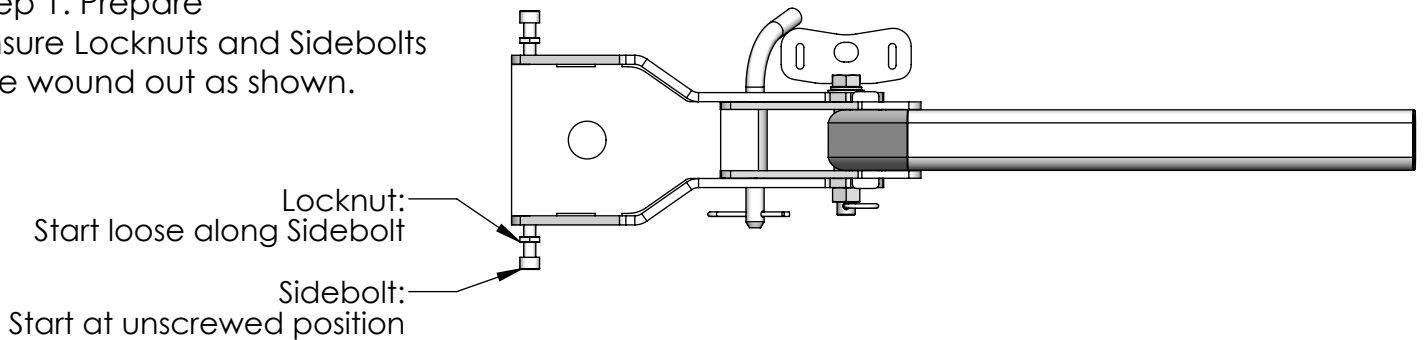
NOTE:

- Tongue mounted carriers are rated for light off-road use.
- Tongue mounted carriers are NOT rated for heavy off-road use!
- This includes use of a Tongue Insert used in a Square Hitch Receiver.
- For heavy off-road use, please use a Square Hitch model GSA Tow Bar Adapter.
- You may need to upgrade your vehicle tow bar from a Tongue to a Square Hitch Receiver.

Fitting the Tongue Mounted TBA to your vehicle tongue can be done as shown below.

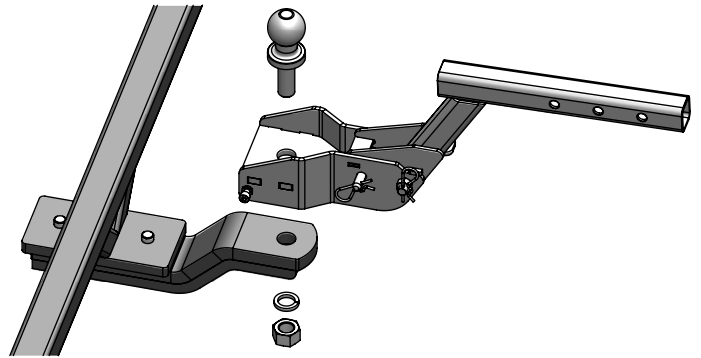
Step 1. Prepare

Ensure Locknuts and Sidebolts are wound out as shown.



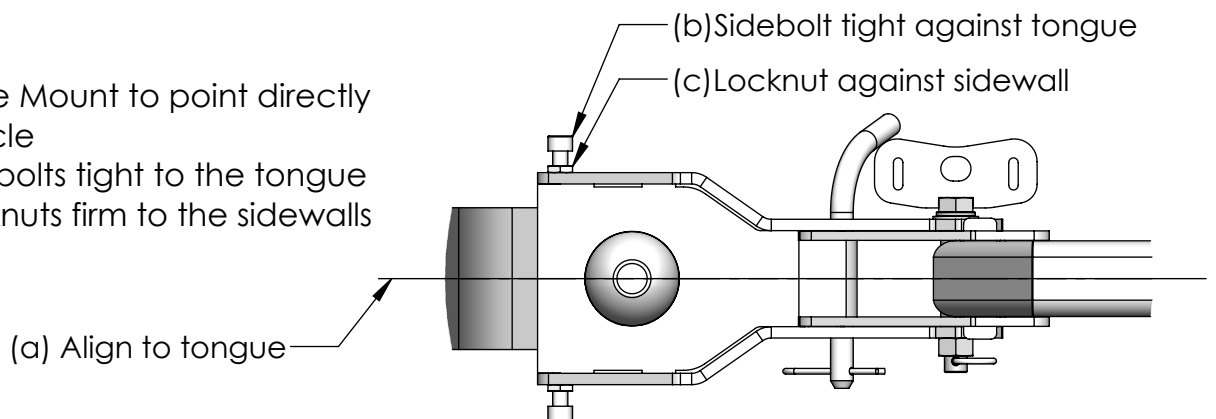
Step 2. Assemble

Assemble Tongue Mount, Tow Ball, Spring Washer and Nut onto vehicle Tongue. Tighten Nut to just firm at this stage.



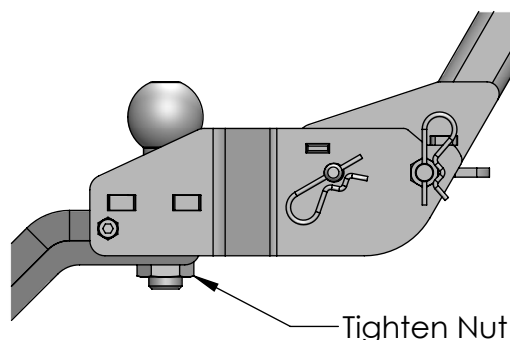
Step 3. Position

- (a) Align Tongue Mount to point directly back from vehicle
- (b) Tighten Sidebolts tight to the tongue
- (c) Tighten Locknuts firm to the sidewalls



Step 4. Final Fix & Tighten

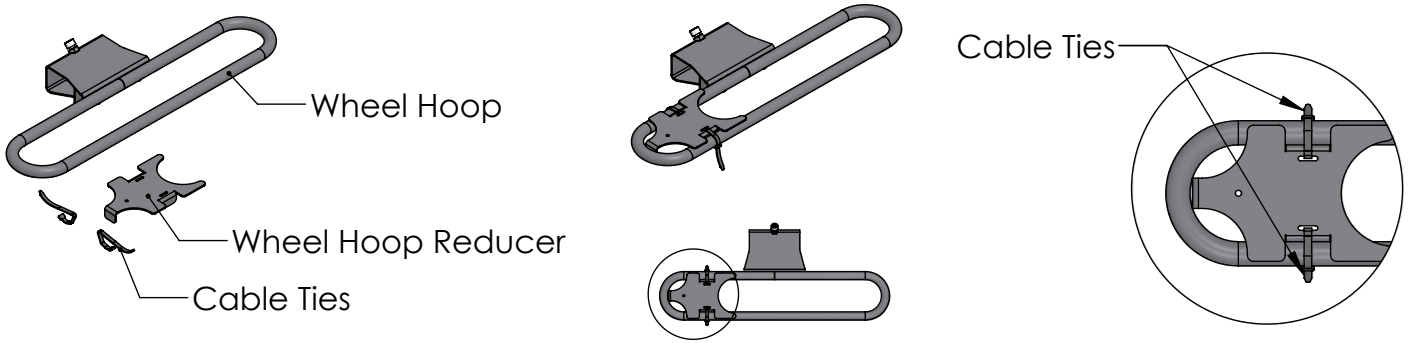
Tighten Tow Ball Nut very tight as per supplier/product recommendations. Double check all fixings and position.



11. Optional: Fit Wheel Hoop Reducers

gripsport

If using Wheel Hoop Reducers, position as shown below:



12. Optional: Fit Rack Light

GSA+ uses GripSport Rack Light. Fit as shown below:

